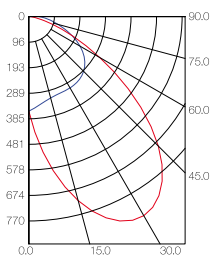
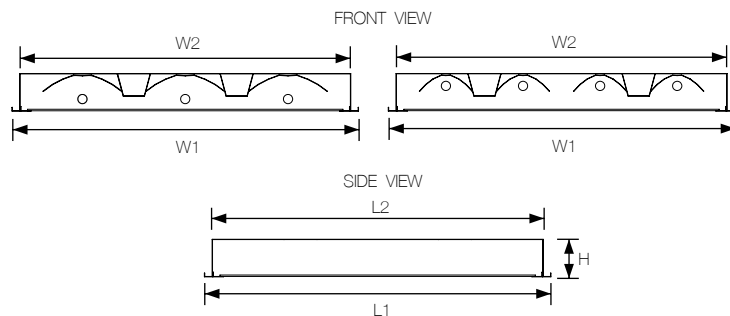
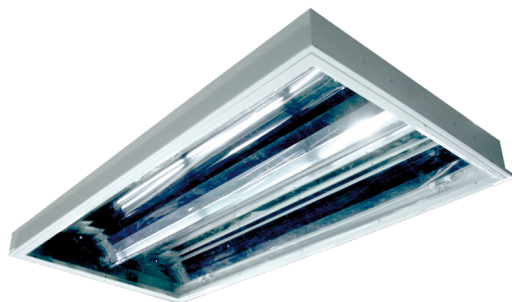
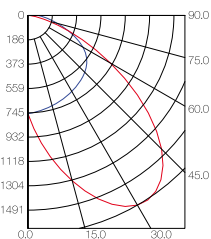


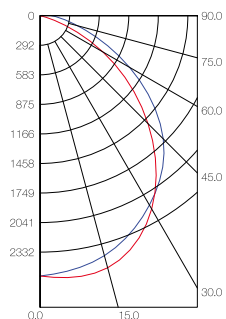
T5 RECESSED CEILING MOUNTED CLEANROOM LUMINAIRE : TR 87%



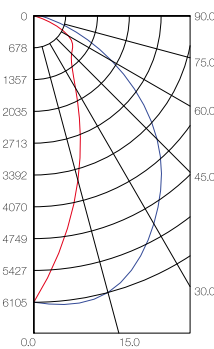
Model. RCTF3 128 QPBR



Model. RCTF3 228 QPBR



Model. RCTF3 328 QPR



Model. RCTF3 428 QPR

Item	Model	Watt	Dimension (mm.)					Mounting Area (mm.)
			W1	W2	L1	L2	H	
313253	RCTF3 114 QPR/P/T6/87	1x14W	200	180	595	575	100	580x185
313254	RCTF3 114 QPBR/P/T6/87	1x14W	295	275	595	575	100	580x280
313255	RCTF3 214 QPR/P/T6/87	2x14W	295	275	595	575	100	580x280
313256	RCTF3 214 QPBR/P/T6/87	2x14W	595	575	595	575	100	580x580
313257	RCTF3 314 QPR/P/T6/87	3x14W	595	575	595	575	100	580x580
313258	RCTF3 414 QPR/P/T6/87	4x14W	595	575	595	575	100	580x580
313259	RCTF3 128 QPR/P/T6/87	1x28W	200	180	1195	1175	100	1180x185
313260	RCTF3 128 QPBR/P/T6/87	1x28W	295	275	1195	1175	100	1180x280
313261	RCTF3 228 QPR/P/T6/87	2x28W	295	275	1195	1175	100	1180x280
313262	RCTF3 228 QPBR/P/T6/87	2x28W	595	575	1195	1175	100	1180x580
313263	RCTF3 328 QPR/P/T6/87	3x28W	595	575	1195	1175	100	1180x580
313264	RCTF3 428 QPR/P/T6/87	4x28W	595	575	1195	1175	100	1180x580
313265	RCTF3 154 QPR/P/T6/87	1x54W	200	180	1195	1175	100	1180x185
313266	RCTF3 154 QPBR/P/T6/87	1x54W	295	275	1195	1175	100	1180x280
313267	RCTF3 254 QPR/P/T6/87	2x54W	295	275	1195	1175	100	1180x280
313268	RCTF3 254 QPBR/P/T6/87	2x54W	595	575	1195	1175	100	1180x580
313269	RCTF3 354 QPR/P/T6/87	3x54W	595	575	1195	1175	100	1180x580
313270	RCTF3 454 QPR/P/T6/87	4x54W	595	575	1195	1175	100	1180x580

ORDERING DATA : RCTF3 114 QPR / P / T6 / 87
A B C

A = Acrylic (P = Prismatic, M = Milky, O = Embossed, C = Transparent)

B = Thickness (T6 = 0.6mm.)

C = Total of Reflectance (87 = TR87%)

T5 RECESSED CEILING MOUNTED CLEANROOM LUMINAIRE : TR 87%

Item	Model	Watt	Dimension (mm.)					Mounting Area (mm.)
			W1	W2	L1	L2	H	
313271	RCTF3 114 QPR/P/T8/87	1x14W	200	180	595	575	100	580x185
313272	RCTF3 114 QPBR/P/T8/87	1x14W	295	275	595	575	100	580x280
313273	RCTF3 214 QPR/P/T8/87	2x14W	295	275	595	575	100	580x280
313274	RCTF3 214 QPBR/P/T8/87	2x14W	595	575	595	575	100	580x580
313275	RCTF3 314 QPR/P/T8/87	3x14W	595	575	595	575	100	580x580
313276	RCTF3 414 QPR/P/T8/87	4x14W	595	575	595	575	100	580x580
313277	RCTF3 128 QPR/P/T8/87	1x28W	200	180	1195	1175	100	1180x185
313278	RCTF3 128 QPBR/P/T8/87	1x28W	295	275	1195	1175	100	1180x280
313279	RCTF3 228 QPR/P/T8/87	2x28W	295	275	1195	1175	100	1180x280
313280	RCTF3 228 QPBR/P/T8/87	2x28W	595	575	1195	1175	100	1180x580
313281	RCTF3 328 QPR/P/T8/87	3x28W	595	575	1195	1175	100	1180x580
313282	RCTF3 428 QPR/P/T8/87	4x28W	595	575	1195	1175	100	1180x580
313283	RCTF3 154 QPR/P/T8/87	1x54W	200	180	1195	1175	100	1180x185
313284	RCTF3 154 QPBR/P/T8/87	1x54W	295	275	1195	1175	100	1180x280
313285	RCTF3 254 QPR/P/T8/87	2x54W	295	275	1195	1175	100	1180x280
313286	RCTF3 254 QPBR/P/T8/87	2x54W	595	575	1195	1175	100	1180x580
313287	RCTF3 354 QPR/P/T8/87	3x54W	595	575	1195	1175	100	1180x580
313288	RCTF3 454 QPR/P/T8/87	4x54W	595	575	1195	1175	100	1180x580

ORDERING DATA : RCTF3 114 QPR / P / T8 / 87
A B C

A = Acrylic (P = Prismatic , M = Milky , O = Embossed ,
C = Transparent)

B = Thickness (T8 = 0.8mm.)

C = Total of Reflectance (87 = TR87%)

T5 RECESSED CEILING MOUNTED CLEANROOM LUMINAIRE : TR 87%

Item	Model	Watt	Dimension (mm.)					Mounting Area (mm.)
			W1	W2	L1	L2	H	
313649	RCTF3 114 QPR/M/T6/87	1x14W	200	180	595	575	100	580x185
313650	RCTF3 114 QPBR/M/T6/87	1x14W	295	275	595	575	100	580x280
313651	RCTF3 214 QPR/M/T6/87	2x14W	295	275	595	575	100	580x280
313652	RCTF3 214 QPBR/M/T6/87	2x14W	595	575	595	575	100	580x580
313653	RCTF3 314 QPR/M/T6/87	3x14W	595	575	595	575	100	580x580
313654	RCTF3 414 QPR/M/T6/87	4x14W	595	575	595	575	100	580x580
313655	RCTF3 128 QPR/M/T6/87	1x28W	200	180	1195	1175	100	1180x185
313656	RCTF3 128 QPBR/M/T6/87	1x28W	295	275	1195	1175	100	1180x280
313657	RCTF3 228 QPR/M/T6/87	2x28W	295	275	1195	1175	100	1180x280
313658	RCTF3 228 QPBR/M/T6/87	2x28W	595	575	1195	1175	100	1180x580
313659	RCTF3 328 QPR/M/T6/87	3x28W	595	575	1195	1175	100	1180x580
313660	RCTF3 428 QPR/M/T6/87	4x28W	595	575	1195	1175	100	1180x580
313661	RCTF3 154 QPR/M/T6/87	1x54W	200	180	1195	1175	100	1180x185
313662	RCTF3 154 QPBR/M/T6/87	1x54W	295	275	1195	1175	100	1180x280
313663	RCTF3 254 QPR/M/T6/87	2x54W	295	275	1195	1175	100	1180x280
313664	RCTF3 254 QPBR/M/T6/87	2x54W	595	575	1195	1175	100	1180x580
313665	RCTF3 354 QPR/M/T6/87	3x54W	595	575	1195	1175	100	1180x580
313666	RCTF3 454 QPR/M/T6/87	4x54W	595	575	1195	1175	100	1180x580

Item	Model	Watt	Dimension (mm.)					Mounting Area (mm.)
			W1	W2	L1	L2	H	
313667	RCTF3 114 QPR/M/T8/87	1x14W	200	180	595	575	100	580x185
313668	RCTF3 114 QPBR/M/T8/87	1x14W	295	275	595	575	100	580x280
313669	RCTF3 214 QPR/M/T8/87	2x14W	295	275	595	575	100	580x280
313670	RCTF3 214 QPBR/M/T8/87	2x14W	595	575	595	575	100	580x580
313671	RCTF3 314 QPR/M/T8/87	3x14W	595	575	595	575	100	580x580
313672	RCTF3 414 QPR/M/T8/87	4x14W	595	575	595	575	100	580x580
313673	RCTF3 128 QPR/M/T8/87	1x28W	200	180	1195	1175	100	1180x185
313674	RCTF3 128 QPBR/M/T8/87	1x28W	295	275	1195	1175	100	1180x280
313675	RCTF3 228 QPR/M/T8/87	2x28W	295	275	1195	1175	100	1180x280
313676	RCTF3 228 QPBR/M/T8/87	2x28W	595	575	1195	1175	100	1180x580
313677	RCTF3 328 QPR/M/T8/87	3x28W	595	575	1195	1175	100	1180x580
313678	RCTF3 428 QPR/M/T8/87	4x28W	595	575	1195	1175	100	1180x580
313679	RCTF3 154 QPR/M/T8/87	1x54W	200	180	1195	1175	100	1180x185
313680	RCTF3 154 QPBR/M/T8/87	1x54W	295	275	1195	1175	100	1180x280
313681	RCTF3 254 QPR/M/T8/87	2x54W	295	275	1195	1175	100	1180x280
313682	RCTF3 254 QPBR/M/T8/87	2x54W	595	575	1195	1175	100	1180x580
313683	RCTF3 354 QPR/M/T8/87	3x54W	595	575	1195	1175	100	1180x580
313684	RCTF3 454 QPR/M/T8/87	4x54W	595	575	1195	1175	100	1180x580

ORDERING DATA : RCTF3 114 QPR / M / T6 / 87
A B C

A = Acrylic (P = Prismatic , M = Milky , O = Embossed ,
C = Transparent)

B = Thickness (T6 = 0.6mm., T8 = 0.8mm.)

C = Total of Reflectance (87 = TR87%)

T5 RECESSED CEILING MOUNTED CLEANROOM LUMINAIRE : TR 87%

Item	Model	Watt	Dimension (mm.)					Mounting Area (mm.)
			W1	W2	L1	L2	H	
313685	RCTF3 114 QPR/O/T6/87	1x14W	200	180	595	575	100	580x185
313686	RCTF3 114 QPBR/O/T6/87	1x14W	295	275	595	575	100	580x280
313687	RCTF3 214 QPR/O/T6/87	2x14W	295	275	595	575	100	580x280
313688	RCTF3 214 QPBR/O/T6/87	2x14W	595	575	595	575	100	580x580
313689	RCTF3 314 QPR/O/T6/87	3x14W	595	575	595	575	100	580x580
313690	RCTF3 414 QPR/O/T6/87	4x14W	595	575	595	575	100	580x580
313691	RCTF3 128 QPR/O/T6/87	1x28W	200	180	1195	1175	100	1180x185
313692	RCTF3 128 QPBR/O/T6/87	1x28W	295	275	1195	1175	100	1180x280
313693	RCTF3 228 QPR/O/T6/87	2x28W	295	275	1195	1175	100	1180x280
313694	RCTF3 228 QPBR/O/T6/87	2x28W	595	575	1195	1175	100	1180x580
313695	RCTF3 328 QPR/O/T6/87	3x28W	595	575	1195	1175	100	1180x580
313696	RCTF3 428 QPR/O/T6/87	4x28W	595	575	1195	1175	100	1180x580
313697	RCTF3 154 QPR/O/T6/87	1x54W	200	180	1195	1175	100	1180x185
313698	RCTF3 154 QPBR/O/T6/87	1x54W	295	275	1195	1175	100	1180x280
313699	RCTF3 254 QPR/O/T6/87	2x54W	295	275	1195	1175	100	1180x280
313700	RCTF3 254 QPBR/O/T6/87	2x54W	595	575	1195	1175	100	1180x580
313701	RCTF3 354 QPR/O/T6/87	3x54W	595	575	1195	1175	100	1180x580
313702	RCTF3 454 QPR/O/T6/87	4x54W	595	575	1195	1175	100	1180x580

Item	Model	Watt	Dimension (mm.)					Mounting Area (mm.)
			W1	W2	L1	L2	H	
313703	RCTF3 114 QPR/O/T8/87	1x14W	200	180	595	575	100	580x185
313704	RCTF3 114 QPBR/O/T8/87	1x14W	295	275	595	575	100	580x280
313705	RCTF3 214 QPR/O/T8/87	2x14W	295	275	595	575	100	580x280
313706	RCTF3 214 QPBR/O/T8/87	2x14W	595	575	595	575	100	580x580
313707	RCTF3 314 QPR/O/T8/87	3x14W	595	575	595	575	100	580x580
313708	RCTF3 414 QPR/O/T8/87	4x14W	595	575	595	575	100	580x580
313709	RCTF3 128 QPR/O/T8/87	1x28W	200	180	1195	1175	100	1180x185
313710	RCTF3 128 QPBR/O/T8/87	1x28W	295	275	1195	1175	100	1180x280
313711	RCTF3 228 QPR/O/T8/87	2x28W	295	275	1195	1175	100	1180x280
313712	RCTF3 228 QPBR/O/T8/87	2x28W	595	575	1195	1175	100	1180x580
313713	RCTF3 328 QPR/O/T8/87	3x28W	595	575	1195	1175	100	1180x580
313714	RCTF3 428 QPR/O/T8/87	4x28W	595	575	1195	1175	100	1180x580
313715	RCTF3 154 QPR/O/T8/87	1x54W	200	180	1195	1175	100	1180x185
313716	RCTF3 154 QPBR/O/T8/87	1x54W	295	275	1195	1175	100	1180x280
313717	RCTF3 254 QPR/O/T8/87	2x54W	295	275	1195	1175	100	1180x280
313718	RCTF3 254 QPBR/O/T8/87	2x54W	595	575	1195	1175	100	1180x580
313719	RCTF3 354 QPR/O/T8/87	3x54W	595	575	1195	1175	100	1180x580
313720	RCTF3 454 QPR/O/T8/87	4x54W	595	575	1195	1175	100	1180x580

ORDERING DATA : RCTF3 114 QPR / O / T6 / 87
A B C

A = Acrylic (P = Prismatic, M = Milky, O = Embossed, C = Transparent)

B = Thickness (T6 = 0.6mm., T8 = 0.8mm.)

C = Total of Reflectance (87 = TR87%)

T5 RECESSED CEILING MOUNTED CLEANROOM LUMINAIRE : TR 87%

Item	Model	Watt	Dimension (mm.)					Mounting Area (mm.)
			W1	W2	L1	L2	H	
313721	RCTF3 114 QPR/C/T6/87	1x14W	200	180	595	575	100	580x185
313722	RCTF3 114 QPBR/C/T6/87	1x14W	295	275	595	575	100	580x280
313723	RCTF3 214 QPR/C/T6/87	2x14W	295	275	595	575	100	580x280
313724	RCTF3 214 QPBR/C/T6/87	2x14W	595	575	595	575	100	580x580
313725	RCTF3 314 QPR/C/T6/87	3x14W	595	575	595	575	100	580x580
313726	RCTF3 414 QPR/C/T6/87	4x14W	595	575	595	575	100	580x580
313727	RCTF3 128 QPR/C/T6/87	1x28W	200	180	1195	1175	100	1180x185
313728	RCTF3 128 QPBR/C/T6/87	1x28W	295	275	1195	1175	100	1180x280
313729	RCTF3 228 QPR/C/T6/87	2x28W	295	275	1195	1175	100	1180x280
313730	RCTF3 228 QPBR/C/T6/87	2x28W	595	575	1195	1175	100	1180x580
313731	RCTF3 328 QPR/C/T6/87	3x28W	595	575	1195	1175	100	1180x580
313732	RCTF3 428 QPR/C/T6/87	4x28W	595	575	1195	1175	100	1180x580
313733	RCTF3 154 QPR/C/T6/87	1x54W	200	180	1195	1175	100	1180x185
313734	RCTF3 154 QPBR/C/T6/87	1x54W	295	275	1195	1175	100	1180x280
313735	RCTF3 254 QPR/C/T6/87	2x54W	295	275	1195	1175	100	1180x280
313736	RCTF3 254 QPBR/C/T6/87	2x54W	595	575	1195	1175	100	1180x580
313737	RCTF3 354 QPR/C/T6/87	3x54W	595	575	1195	1175	100	1180x580
313738	RCTF3 454 QPR/C/T6/87	4x54W	595	575	1195	1175	100	1180x580

Item	Model	Watt	Dimension (mm.)					Mounting Area (mm.)
			W1	W2	L1	L2	H	
313739	RCTF3 114 QPR/C/T8/87	1x14W	200	180	595	575	100	580x185
313740	RCTF3 114 QPBR/C/T8/87	1x14W	295	275	595	575	100	580x280
313741	RCTF3 214 QPR/C/T8/87	2x14W	295	275	595	575	100	580x280
313742	RCTF3 214 QPBR/C/T8/87	2x14W	595	575	595	575	100	580x580
313743	RCTF3 314 QPR/C/T8/87	3x14W	595	575	595	575	100	580x580
313744	RCTF3 414 QPR/C/T8/87	4x14W	595	575	595	575	100	580x580
313745	RCTF3 128 QPR/C/T8/87	1x28W	200	180	1195	1175	100	1180x185
313746	RCTF3 128 QPBR/C/T8/87	1x28W	295	275	1195	1175	100	1180x280
313747	RCTF3 228 QPR/C/T8/87	2x28W	295	275	1195	1175	100	1180x280
313748	RCTF3 228 QPBR/C/T8/87	2x28W	595	575	1195	1175	100	1180x580
313749	RCTF3 328 QPR/C/T8/87	3x28W	595	575	1195	1175	100	1180x580
313750	RCTF3 428 QPR/C/T8/87	4x28W	595	575	1195	1175	100	1180x580
313751	RCTF3 154 QPR/C/T8/87	1x54W	200	180	1195	1175	100	1180x185
313752	RCTF3 154 QPBR/C/T8/87	1x54W	295	275	1195	1175	100	1180x280
313753	RCTF3 254 QPR/C/T8/87	2x54W	295	275	1195	1175	100	1180x280
313754	RCTF3 254 QPBR/C/T8/87	2x54W	595	575	1195	1175	100	1180x580
313755	RCTF3 354 QPR/C/T8/87	3x54W	595	575	1195	1175	100	1180x580
313756	RCTF3 454 QPR/C/T8/87	4x54W	595	575	1195	1175	100	1180x580

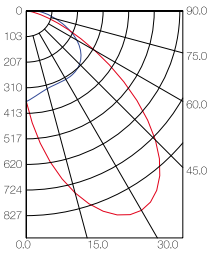
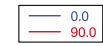
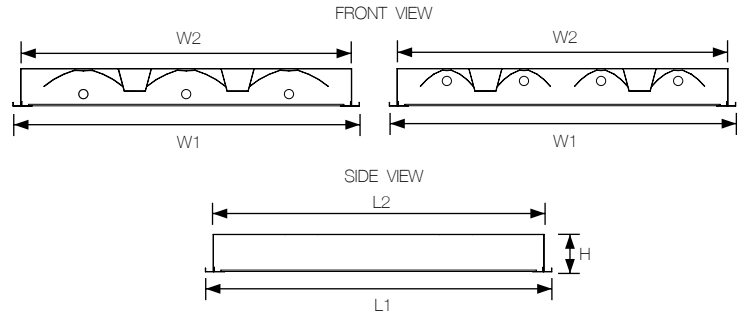
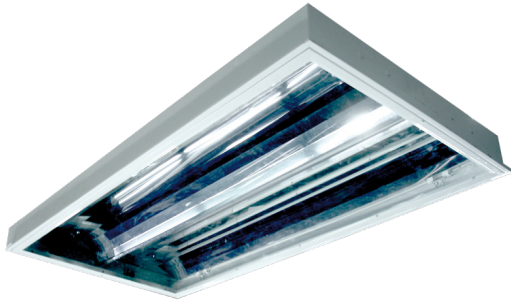
ORDERING DATA : RCTF3 114 QPR / C / T6 / 87
A B C

A = Acrylic (P = Prismatic , M = Milky , O = Embossed ,
C = Transparent)

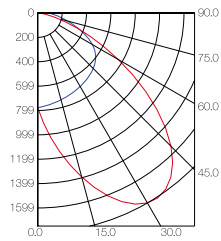
B = Thickness (T6 = 0.6mm., T8 = 0.8mm.)

C = Total of Reflectance (87 = TR87%)

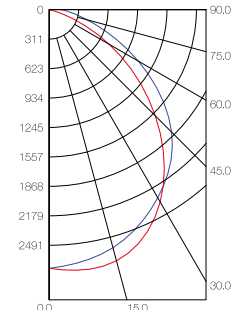
T5 RECESSED CEILING MOUNTED CLEANROOM LUMINAIRE : TR 95%



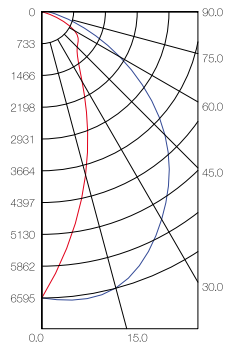
Model. RCTF3 128 QPBR



Model. RCTF3 228 QPBR



Model. RCTF3 328 QPR



Model. RCTF3 428 QPR

Item	Model	Watt	Dimension (mm.)					Mounting Area (mm.)
			W1	W2	L1	L2	H	
313289	RCTF3 114 QPR/P/T6/95	1x14W	200	180	595	575	100	580x185
313290	RCTF3 114 QPBR/P/T6/95	1x14W	295	275	595	575	100	580x280
313291	RCTF3 214 QPR/P/T6/95	2x14W	295	275	595	575	100	580x280
313292	RCTF3 214 QPBR/P/T6/95	2x14W	595	575	595	575	100	580x580
313293	RCTF3 314 QPR/P/T6/95	3x14W	595	575	595	575	100	580x580
313294	RCTF3 414 QPR/P/T6/95	4x14W	595	575	595	575	100	580x580
313295	RCTF3 128 QPR/P/T6/95	1x28W	200	180	1195	1175	100	1180x185
313296	RCTF3 128 QPBR/P/T6/95	1x28W	295	275	1195	1175	100	1180x280
313297	RCTF3 228 QPR/P/T6/95	2x28W	295	275	1195	1175	100	1180x280
313298	RCTF3 228 QPBR/P/T6/95	2x28W	595	575	1195	1175	100	1180x580
313299	RCTF3 328 QPR/P/T6/95	3x28W	595	575	1195	1175	100	1180x580
313300	RCTF3 428 QPR/P/T6/95	4x28W	595	575	1195	1175	100	1180x580
313301	RCTF3 154 QPR/P/T6/95	1x54W	200	180	1195	1175	100	1180x185
313302	RCTF3 154 QPBR/P/T6/95	1x54W	295	275	1195	1175	100	1180x280
313303	RCTF3 254 QPR/P/T6/95	2x54W	295	275	1195	1175	100	1180x280
313304	RCTF3 254 QPBR/P/T6/95	2x54W	595	575	1195	1175	100	1180x580
313305	RCTF3 354 QPR/P/T6/95	3x54W	595	575	1195	1175	100	1180x580
313306	RCTF3 454 QPR/P/T6/95	4x54W	595	575	1195	1175	100	1180x580

ORDERING DATA : RCTF3 114 QPR / P / T6 / 95
A B C

A = Acrylic (P = Prismatic, M = Milky, O = Embossed, C = Transparent)

B = Thickness (T6 = 0.6mm.)

C = Total of Reflectance (95 = TR95%)

T5 RECESSED CEILING MOUNTED CLEANROOM LUMINAIRE : TR 95%

Item	Model	Watt	Dimension (mm.)					Mounting Area (mm.)
			W1	W2	L1	L2	H	
313307	RCTF3 114 QPR/P/T8/95	1x14W	200	180	595	575	100	580x185
313308	RCTF3 114 QPBR/P/T8/95	1x14W	295	275	595	575	100	580x280
313309	RCTF3 214 QPR/P/T8/95	2x14W	295	275	595	575	100	580x280
313310	RCTF3 214 QPBR/P/T8/95	2x14W	595	575	595	575	100	580x580
313311	RCTF3 314 QPR/P/T8/95	3x14W	595	575	595	575	100	580x580
313312	RCTF3 414 QPR/P/T8/95	4x14W	595	575	595	575	100	580x580
313313	RCTF3 128 QPR/P/T8/95	1x28W	200	180	1195	1175	100	1180x185
313314	RCTF3 128 QPBR/P/T8/95	1x28W	295	275	1195	1175	100	1180x280
313315	RCTF3 228 QPR/P/T8/95	2x28W	295	275	1195	1175	100	1180x280
313316	RCTF3 228 QPBR/P/T8/95	2x28W	595	575	1195	1175	100	1180x580
313317	RCTF3 328 QPR/P/T8/95	3x28W	595	575	1195	1175	100	1180x580
313318	RCTF3 428 QPR/P/T8/95	4x28W	595	575	1195	1175	100	1180x580
313319	RCTF3 154 QPR/P/T8/95	1x54W	200	180	1195	1175	100	1180x185
313320	RCTF3 154 QPBR/P/T8/95	1x54W	295	275	1195	1175	100	1180x280
313321	RCTF3 254 QPR/P/T8/95	2x54W	295	275	1195	1175	100	1180x280
313322	RCTF3 254 QPBR/P/T8/95	2x54W	595	575	1195	1175	100	1180x580
313323	RCTF3 354 QPR/P/T8/95	3x54W	595	575	1195	1175	100	1180x580
313324	RCTF3 454 QPR/P/T8/95	4x54W	595	575	1195	1175	100	1180x580

 ORDERING DATA : RCTF3 114 QPR / P / T8 / 95
 A B C

 A = Acrylic (P = Prismatic , M = Milky , O = Embossed ,
 C = Transparent)
 B = Thickness (T8 = 0.8mm.)
 C = Total of Reflectance (95 = TR95%)

T5 RECESSED CEILING MOUNTED CLEANROOM LUMINAIRE : TR 95%

Item	Model	Watt	Dimension (mm.)					Mounting Area (mm.)
			W1	W2	L1	L2	H	
313757	RCTF3 114 QPR/M/T6/95	1x14W	200	180	595	575	100	580x185
313758	RCTF3 114 QPBR/M/T6/95	1x14W	295	275	595	575	100	580x280
313759	RCTF3 214 QPR/M/T6/95	2x14W	295	275	595	575	100	580x280
313760	RCTF3 214 QPBR/M/T6/95	2x14W	595	575	595	575	100	580x580
313761	RCTF3 314 QPR/M/T6/95	3x14W	595	575	595	575	100	580x580
313762	RCTF3 414 QPR/M/T6/95	4x14W	595	575	595	575	100	580x580
313763	RCTF3 128 QPR/M/T6/95	1x28W	200	180	1195	1175	100	1180x185
313764	RCTF3 128 QPBR/M/T6/95	1x28W	295	275	1195	1175	100	1180x280
313765	RCTF3 228 QPR/M/T6/95	2x28W	295	275	1195	1175	100	1180x280
313766	RCTF3 228 QPBR/M/T6/95	2x28W	595	575	1195	1175	100	1180x580
313767	RCTF3 328 QPR/M/T6/95	3x28W	595	575	1195	1175	100	1180x580
313768	RCTF3 428 QPR/M/T6/95	4x28W	595	575	1195	1175	100	1180x580
313769	RCTF3 154 QPR/M/T6/95	1x54W	200	180	1195	1175	100	1180x185
313770	RCTF3 154 QPBR/M/T6/95	1x54W	295	275	1195	1175	100	1180x280
313771	RCTF3 254 QPR/M/T6/95	2x54W	295	275	1195	1175	100	1180x280
313772	RCTF3 254 QPBR/M/T6/95	2x54W	595	575	1195	1175	100	1180x580
313773	RCTF3 354 QPR/M/T6/95	3x54W	595	575	1195	1175	100	1180x580
313774	RCTF3 454 QPR/M/T6/95	4x54W	595	575	1195	1175	100	1180x580

Item	Model	Watt	Dimension (mm.)					Mounting Area (mm.)
			W1	W2	L1	L2	H	
313775	RCTF3 114 QPR/M/T8/95	1x14W	200	180	595	575	100	580x185
313776	RCTF3 114 QPBR/M/T8/95	1x14W	295	275	595	575	100	580x280
313777	RCTF3 214 QPR/M/T8/95	2x14W	295	275	595	575	100	580x280
313778	RCTF3 214 QPBR/M/T8/95	2x14W	595	575	595	575	100	580x580
313779	RCTF3 314 QPR/M/T8/95	3x14W	595	575	595	575	100	580x580
313780	RCTF3 414 QPR/M/T8/95	4x14W	595	575	595	575	100	580x580
313781	RCTF3 128 QPR/M/T8/95	1x28W	200	180	1195	1175	100	1180x185
313782	RCTF3 128 QPBR/M/T8/95	1x28W	295	275	1195	1175	100	1180x280
313783	RCTF3 228 QPR/M/T8/95	2x28W	295	275	1195	1175	100	1180x280
313784	RCTF3 228 QPBR/M/T8/95	2x28W	595	575	1195	1175	100	1180x580
313785	RCTF3 328 QPR/M/T8/95	3x28W	595	575	1195	1175	100	1180x580
313786	RCTF3 428 QPR/M/T8/95	4x28W	595	575	1195	1175	100	1180x580
313787	RCTF3 154 QPR/M/T8/95	1x54W	200	180	1195	1175	100	1180x185
313788	RCTF3 154 QPBR/M/T8/95	1x54W	295	275	1195	1175	100	1180x280
313789	RCTF3 254 QPR/M/T8/95	2x54W	295	275	1195	1175	100	1180x280
313790	RCTF3 254 QPBR/M/T8/95	2x54W	595	575	1195	1175	100	1180x580
313791	RCTF3 354 QPR/M/T8/95	3x54W	595	575	1195	1175	100	1180x580
313792	RCTF3 454 QPR/M/T8/95	4x54W	595	575	1195	1175	100	1180x580

ORDERING DATA : RCTF3 114 QPR / M / T6 / 95
A B C

A = Acrylic (P = Prismatic , M = Milky , O = Embossed ,
C = Transparent)
B = Thickness (T6 = 0.6mm., T8 = 0.8mm.)
C = Total of Reflectance (95 = TR95%)

T5 RECESSED CEILING MOUNTED CLEANROOM LUMINAIRE : TR 95%

Item	Model	Watt	Dimension (mm.)					Mounting Area (mm.)
			W1	W2	L1	L2	H	
313793	RCTF3 114 QPR/O/T6/95	1x14W	200	180	595	575	100	580x185
313794	RCTF3 114 QPBR/O/T6/95	1x14W	295	275	595	575	100	580x280
313795	RCTF3 214 QPR/O/T6/95	2x14W	295	275	595	575	100	580x280
313796	RCTF3 214 QPBR/O/T6/95	2x14W	595	575	595	575	100	580x580
313797	RCTF3 314 QPR/O/T6/95	3x14W	595	575	595	575	100	580x580
313798	RCTF3 414 QPR/O/T6/95	4x14W	595	575	595	575	100	580x580
313799	RCTF3 128 QPR/O/T6/95	1x28W	200	180	1195	1175	100	1180x185
313800	RCTF3 128 QPBR/O/T6/95	1x28W	295	275	1195	1175	100	1180x280
313801	RCTF3 228 QPR/O/T6/95	2x28W	295	275	1195	1175	100	1180x280
313802	RCTF3 228 QPBR/O/T6/95	2x28W	595	575	1195	1175	100	1180x580
313803	RCTF3 328 QPR/O/T6/95	3x28W	595	575	1195	1175	100	1180x580
313804	RCTF3 428 QPR/O/T6/95	4x28W	595	575	1195	1175	100	1180x580
313805	RCTF3 154 QPR/O/T6/95	1x54W	200	180	1195	1175	100	1180x185
313806	RCTF3 154 QPBR/O/T6/95	1x54W	295	275	1195	1175	100	1180x280
313807	RCTF3 254 QPR/O/T6/95	2x54W	295	275	1195	1175	100	1180x280
313808	RCTF3 254 QPBR/O/T6/95	2x54W	595	575	1195	1175	100	1180x580
313809	RCTF3 354 QPR/O/T6/95	3x54W	595	575	1195	1175	100	1180x580
313810	RCTF3 454 QPR/O/T6/95	4x54W	595	575	1195	1175	100	1180x580

Item	Model	Watt	Dimension (mm.)					Mounting Area (mm.)
			W1	W2	L1	L2	H	
313811	RCTF3 114 QPR/O/T8/95	1x14W	200	180	595	575	100	580x185
313812	RCTF3 114 QPBR/O/T8/95	1x14W	295	275	595	575	100	580x280
313813	RCTF3 214 QPR/O/T8/95	2x14W	295	275	595	575	100	580x280
313814	RCTF3 214 QPBR/O/T8/95	2x14W	595	575	595	575	100	580x580
313815	RCTF3 314 QPR/O/T8/95	3x14W	595	575	595	575	100	580x580
313816	RCTF3 414 QPR/O/T8/95	4x14W	595	575	595	575	100	580x580
313817	RCTF3 128 QPR/O/T8/95	1x28W	200	180	1195	1175	100	1180x185
313818	RCTF3 128 QPBR/O/T8/95	1x28W	295	275	1195	1175	100	1180x280
313819	RCTF3 228 QPR/O/T8/95	2x28W	295	275	1195	1175	100	1180x280
313820	RCTF3 228 QPBR/O/T8/95	2x28W	595	575	1195	1175	100	1180x580
313821	RCTF3 328 QPR/O/T8/95	3x28W	595	575	1195	1175	100	1180x580
313822	RCTF3 428 QPR/O/T8/95	4x28W	595	575	1195	1175	100	1180x580
313823	RCTF3 154 QPR/O/T8/95	1x54W	200	180	1195	1175	100	1180x185
313824	RCTF3 154 QPBR/O/T8/95	1x54W	295	275	1195	1175	100	1180x280
313825	RCTF3 254 QPR/O/T8/95	2x54W	295	275	1195	1175	100	1180x280
313826	RCTF3 254 QPBR/O/T8/95	2x54W	595	575	1195	1175	100	1180x580
313827	RCTF3 354 QPR/O/T8/95	3x54W	595	575	1195	1175	100	1180x580
313828	RCTF3 454 QPR/O/T8/95	4x54W	595	575	1195	1175	100	1180x580

ORDERING DATA : RCTF3 114 QPR / O / T6 / 95
A B C

A = Acrylic (P = Prismatic , M = Milky , O = Embossed ,
C = Transparent)

B = Thickness (T6 = 0.6mm., T8 = 0.8mm.)

C = Total of Reflectance (95 = TR95%)

T5 RECESSED CEILING MOUNTED CLEANROOM LUMINAIRE : TR 95%

Item	Model	Watt	Dimension (mm.)					Mounting Area (mm.)
			W1	W2	L1	L2	H	
313829	RCTF3 114 QPR/C/T6/95	1x14W	200	180	595	575	100	580x185
313830	RCTF3 114 QPBR/C/T6/95	1x14W	295	275	595	575	100	580x280
313831	RCTF3 214 QPR/C/T6/95	2x14W	295	275	595	575	100	580x280
313832	RCTF3 214 QPBR/C/T6/95	2x14W	595	575	595	575	100	580x580
313833	RCTF3 314 QPR/C/T6/95	3x14W	595	575	595	575	100	580x580
313834	RCTF3 414 QPR/C/T6/95	4x14W	595	575	595	575	100	580x580
313835	RCTF3 128 QPR/C/T6/95	1x28W	200	180	1195	1175	100	1180x185
313836	RCTF3 128 QPBR/C/T6/95	1x28W	295	275	1195	1175	100	1180x280
313837	RCTF3 228 QPR/C/T6/95	2x28W	295	275	1195	1175	100	1180x280
313838	RCTF3 228 QPBR/C/T6/95	2x28W	595	575	1195	1175	100	1180x580
313839	RCTF3 328 QPR/C/T6/95	3x28W	595	575	1195	1175	100	1180x580
313840	RCTF3 428 QPR/C/T6/95	4x28W	595	575	1195	1175	100	1180x580
313841	RCTF3 154 QPR/C/T6/95	1x54W	200	180	1195	1175	100	1180x185
313842	RCTF3 154 QPBR/C/T6/95	1x54W	295	275	1195	1175	100	1180x280
313843	RCTF3 254 QPR/C/T6/95	2x54W	295	275	1195	1175	100	1180x280
313844	RCTF3 254 QPBR/C/T6/95	2x54W	595	575	1195	1175	100	1180x580
313845	RCTF3 354 QPR/C/T6/95	3x54W	595	575	1195	1175	100	1180x580
313846	RCTF3 454 QPR/C/T6/95	4x54W	595	575	1195	1175	100	1180x580

Item	Model	Watt	Dimension (mm.)					Mounting Area (mm.)
			W1	W2	L1	L2	H	
313847	RCTF3 114 QPR/C/T8/95	1x14W	200	180	595	575	100	580x185
313848	RCTF3 114 QPBR/C/T8/95	1x14W	295	275	595	575	100	580x280
313849	RCTF3 214 QPR/C/T8/95	2x14W	295	275	595	575	100	580x280
313850	RCTF3 214 QPBR/C/T8/95	2x14W	595	575	595	575	100	580x580
313851	RCTF3 314 QPR/C/T8/95	3x14W	595	575	595	575	100	580x580
313852	RCTF3 414 QPR/C/T8/95	4x14W	595	575	595	575	100	580x580
313853	RCTF3 128 QPR/C/T8/95	1x28W	200	180	1195	1175	100	1180x185
313854	RCTF3 128 QPBR/C/T8/95	1x28W	295	275	1195	1175	100	1180x280
313855	RCTF3 228 QPR/C/T8/95	2x28W	295	275	1195	1175	100	1180x280
313856	RCTF3 228 QPBR/C/T8/95	2x28W	595	575	1195	1175	100	1180x580
313857	RCTF3 328 QPR/C/T8/95	3x28W	595	575	1195	1175	100	1180x580
313858	RCTF3 428 QPR/C/T8/95	4x28W	595	575	1195	1175	100	1180x580
313859	RCTF3 154 QPR/C/T8/95	1x54W	200	180	1195	1175	100	1180x185
313860	RCTF3 154 QPBR/C/T8/95	1x54W	295	275	1195	1175	100	1180x280
313861	RCTF3 254 QPR/C/T8/95	2x54W	295	275	1195	1175	100	1180x280
313862	RCTF3 254 QPBR/C/T8/95	2x54W	595	575	1195	1175	100	1180x580
313863	RCTF3 354 QPR/C/T8/95	3x54W	595	575	1195	1175	100	1180x580
313864	RCTF3 454 QPR/C/T8/95	4x54W	595	575	1195	1175	100	1180x580

ORDERING DATA : RCTF3 114 QPR / C / T6 / 95
A B C

A = Acrylic (P = Prismatic , M = Milky , O = Embossed ,
C = Transparent)

B = Thickness (T6 = 0.6mm., T8 = 0.8mm.)

C = Total of Reflectance (95 = TR95%)