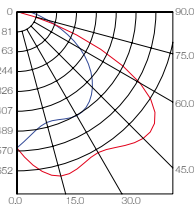
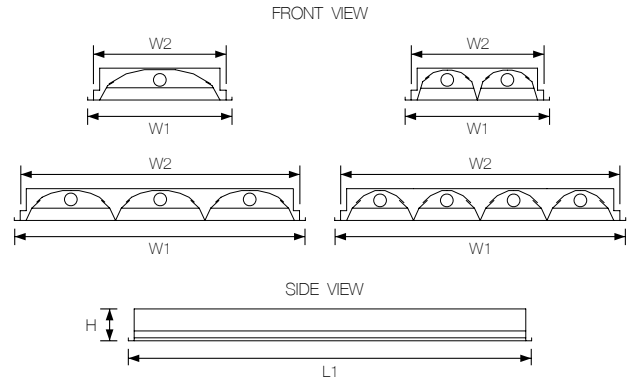
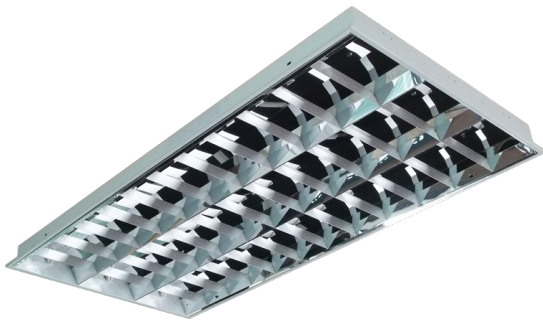
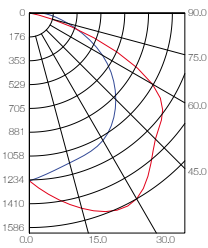


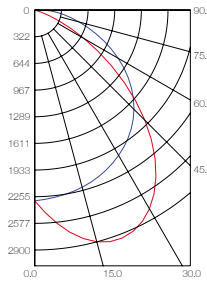
T5 RECESSED CEILING MOUNTED MULTI-PROFILE LOUVER LUMINAIRE : TR 87%



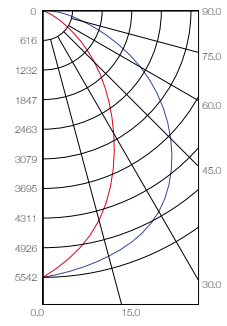
Model RCTF3 128 CBR



Model RCTF3 228 CBR



Model RCTF3 328 CR



Model RCTF3 428 CR

Item	Model	Watt	Dimension (mm.)				Mounting Area (mm.)
			W1	W2	L	H	
313001	RCTF3 114 CR/T4/87	1x14W	200	180	595	65	580x185
313002	RCTF3 114 CBR/T4/87	1x14W	295	275	595	65	580x280
313003	RCTF3 214 CR/T4/87	2x14W	295	275	595	65	580x280
313004	RCTF3 214 CBR/T4/87	2x14W	595	575	595	65	580x580
313005	RCTF3 314 CR/T4/87	3x14W	595	575	595	65	580x580
313006	RCTF3 414 CR/T4/87	4x14W	595	575	595	65	580x580
313007	RCTF3 128 CR/T4/87	1x28W	200	180	1195	65	1180x185
313008	RCTF3 128 CBR/T4/87	1x28W	295	275	1195	65	1180x280
313009	RCTF3 228 CR/T4/87	2x28W	295	275	1195	65	1180x280
313010	RCTF3 228 CBR/T4/87	2x28W	595	575	1195	65	1180x580
313011	RCTF3 328 CR/T4/87	3x28W	595	575	1195	65	1180x580
313012	RCTF3 428 CR/T4/87	4x28W	595	575	1195	65	1180x580
313013	RCTF3 154 CR/T4/87	1x54W	200	180	1195	65	1180x185
313014	RCTF3 154 CBR/T4/87	1x54W	295	275	1195	65	1180x280
313015	RCTF3 254 CR/T4/87	2x54W	295	275	1195	65	1180x280
313016	RCTF3 254 CBR/T4/87	2x54W	595	575	1195	65	1180x580
313017	RCTF3 354 CR/T4/87	3x54W	595	575	1195	65	1180x580
313018	RCTF3 454 CR/T4/87	4x54W	595	575	1195	65	1180x580

ORDERING DATA : RCTF3 114 CR / T4 / 87
A B

A = Thickness (T4 = 0.4mm.)
B = Total of Reflectance (87 = TR87%)

T5 RECESSED CEILING MOUNTED MULTI-PROFILE LOUVER LUMINAIRE : TR 87%

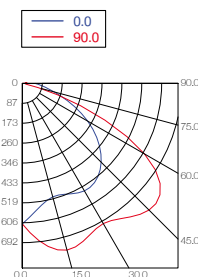
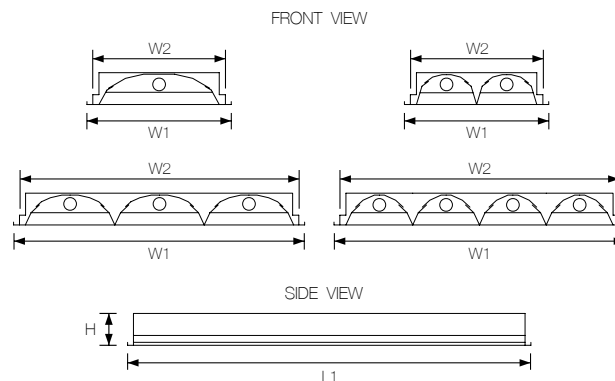
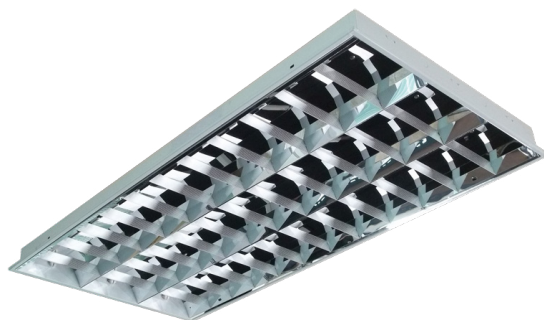
Item	Model	Watt	Dimension (mm.)				Mounting Area (mm.)
			W1	W2	L	H	
313019	RCTF3 114 CR/T6/87	1x14W	200	180	595	65	580x185
313020	RCTF3 114 CBR/T6/87	1x14W	295	275	595	65	580x280
313021	RCTF3 214 CR/T6/87	2x14W	295	275	595	65	580x280
313022	RCTF3 214 CBR/T6/87	2x14W	595	575	595	65	580x580
313023	RCTF3 314 CR/T6/87	3x14W	595	575	595	65	580x580
313024	RCTF3 414 CR/T6/87	4x14W	595	575	595	65	580x580
313025	RCTF3 128 CR/T6/87	1x28W	200	180	1195	65	1180x185
313026	RCTF3 128 CBR/T6/87	1x28W	295	275	1195	65	1180x280
313027	RCTF3 228 CR/T6/87	2x28W	295	275	1195	65	1180x280
313028	RCTF3 228 CBR/T6/87	2x28W	595	575	1195	65	1180x580
313029	RCTF3 328 CR/T6/87	3x28W	595	575	1195	65	1180x580
313030	RCTF3 428 CR/T6/87	4x28W	595	575	1195	65	1180x580
313031	RCTF3 154 CR/T6/87	1x54W	200	180	1195	65	1180x185
313032	RCTF3 154 CBR/T6/87	1x54W	295	275	1195	65	1180x280
313033	RCTF3 254 CR/T6/87	2x54W	295	275	1195	65	1180x280
313034	RCTF3 254 CBR/T6/87	2x54W	595	575	1195	65	1180x580
313035	RCTF3 354 CR/T6/87	3x54W	595	575	1195	65	1180x580
313036	RCTF3 454 CR/T6/87	4x54W	595	575	1195	65	1180x580

Item	Model	Watt	Dimension (mm.)				Mounting Area (mm.)
			W1	W2	L	H	
313037	RCTF3 114 CR/T8/87	1x14W	200	180	595	65	580x185
313038	RCTF3 114 CBR/T8/87	1x14W	295	275	595	65	580x280
313039	RCTF3 214 CR/T8/87	2x14W	295	275	595	65	580x280
313040	RCTF3 214 CBR/T8/87	2x14W	595	575	595	65	580x580
313041	RCTF3 314 CR/T8/87	3x14W	595	575	595	65	580x580
313042	RCTF3 414 CR/T8/87	4x14W	595	575	595	65	580x580
313043	RCTF3 128 CR/T8/87	1x28W	200	180	1195	65	1180x185
313044	RCTF3 128 CBR/T8/87	1x28W	295	275	1195	65	1180x280
313045	RCTF3 228 CR/T8/87	2x28W	295	275	1195	65	1180x280
313046	RCTF3 228 CBR/T8/87	2x28W	595	575	1195	65	1180x580
313047	RCTF3 328 CR/T8/87	3x28W	595	575	1195	65	1180x580
313048	RCTF3 428 CR/T8/87	4x28W	595	575	1195	65	1180x580
313049	RCTF3 154 CR/T8/87	1x54W	200	180	1195	65	1180x185
313050	RCTF3 154 CBR/T8/87	1x54W	295	275	1195	65	1180x280
313051	RCTF3 254 CR/T8/87	2x54W	295	275	1195	65	1180x280
313052	RCTF3 254 CBR/T8/87	2x54W	595	575	1195	65	1180x580
313053	RCTF3 354 CR/T8/87	3x54W	595	575	1195	65	1180x580
313054	RCTF3 454 CR/T8/87	4x54W	595	575	1195	65	1180x580

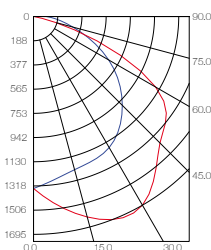
ORDERING DATA : RCTF3 114 CR / T8 / 87
A B

A = Thickness (T6 = 0.6mm., T8 = 0.8mm.)
B = Total of Reflectance (87 = TR87%)

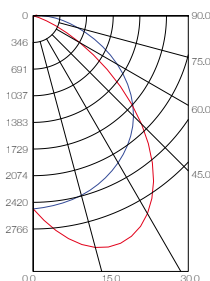
T5 RECESSED CEILING MOUNTED MULTI-PROFILE LOUVER LUMINAIRE : TR 95%



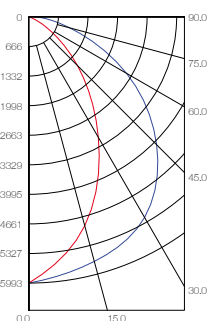
Model. RCTF3 128 CBR



Model. RCTF3 228 CBR



Model. RCTF3 328 CR



Model. RCTF3 428 CR

Item	Model	Watt	Dimension (mm.)				Mounting Area (mm.)
			W1	W2	L	H	
313055	RCTF3 114 CR/T4/95	1x14W	200	180	595	65	580x185
313056	RCTF3 114 CBR/T4/95	1x14W	295	275	595	65	580x280
313057	RCTF3 214 CR/T4/95	2x14W	295	275	595	65	580x280
313058	RCTF3 214 CBR/T4/95	2x14W	595	575	595	65	580x580
313059	RCTF3 314 CR/T4/95	3x14W	595	575	595	65	580x580
313060	RCTF3 414 CR/T4/95	4x14W	595	575	595	65	580x580
313061	RCTF3 128 CR/T4/95	1x28W	200	180	1195	65	1180x185
313062	RCTF3 128 CBR/T4/95	1x28W	295	275	1195	65	1180x280
313063	RCTF3 228 CR/T4/95	2x28W	295	275	1195	65	1180x280
313064	RCTF3 228 CBR/T4/95	2x28W	595	575	1195	65	1180x580
313065	RCTF3 328 CR/T4/95	3x28W	595	575	1195	65	1180x580
313066	RCTF3 428 CR/T4/95	4x28W	595	575	1195	65	1180x580
313067	RCTF3 154 CR/T4/95	1x54W	200	180	1195	65	1180x185
313068	RCTF3 154 CBR/T4/95	1x54W	295	275	1195	65	1180x280
313069	RCTF3 254 CR/T4/95	2x54W	295	275	1195	65	1180x280
313070	RCTF3 254 CBR/T4/95	2x54W	595	575	1195	65	1180x580
313071	RCTF3 354 CR/T4/95	3x54W	595	575	1195	65	1180x580
313072	RCTF3 454 CR/T4/95	4x54W	595	575	1195	65	1180x580

ORDERING DATA : RCTF3 114 CR / T4 / 95
A B

A = Thickness (T4 = 0.4mm.)
B = Total of Reflectance (95 = TR95%)

T5 RECESSED CEILING MOUNTED MULTI-PROFILE LOUVER LUMINAIRE : TR 95%

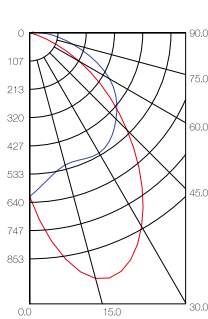
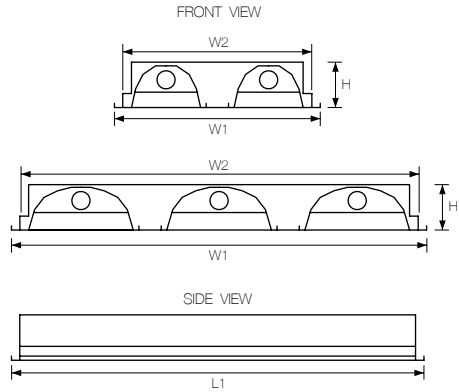
Item	Model	Watt	Dimension (mm.)				Mounting Area (mm.)
			W1	W2	L	H	
313073	RCTF3 114 CR/T6/95	1x14W	200	180	595	65	580x185
313074	RCTF3 114 CBR/T6/95	1x14W	295	275	595	65	580x280
313075	RCTF3 214 CR/T6/95	2x14W	295	275	595	65	580x280
313076	RCTF3 214 CBR/T6/95	2x14W	595	575	595	65	580x580
313077	RCTF3 314 CR/T6/95	3x14W	595	575	595	65	580x580
313078	RCTF3 414 CR/T6/95	4x14W	595	575	595	65	580x580
313079	RCTF3 128 CR/T6/95	1x28W	200	180	1195	65	1180x185
313080	RCTF3 128 CBR/T6/95	1x28W	295	275	1195	65	1180x280
313081	RCTF3 228 CR/T6/95	2x28W	295	275	1195	65	1180x280
313082	RCTF3 228 CBR/T6/95	2x28W	595	575	1195	65	1180x580
313083	RCTF3 328 CR/T6/95	3x28W	595	575	1195	65	1180x580
313084	RCTF3 428 CR/T6/95	4x28W	595	575	1195	65	1180x580
313085	RCTF3 154 CR/T6/95	1x54W	200	180	1195	65	1180x185
313086	RCTF3 154 CBR/T6/95	1x54W	295	275	1195	65	1180x280
313087	RCTF3 254 CR/T6/95	2x54W	295	275	1195	65	1180x280
313088	RCTF3 254 CBR/T6/95	2x54W	595	575	1195	65	1180x580
313089	RCTF3 354 CR/T6/95	3x54W	595	575	1195	65	1180x580
313090	RCTF3 454 CR/T6/95	4x54W	595	575	1195	65	1180x580

Item	Model	Watt	Dimension (mm.)				Mounting Area (mm.)
			W1	W2	L	H	
313091	RCTF3 114 CR/T8/95	1x14W	200	180	595	65	580x185
313092	RCTF3 114 CBR/T8/95	1x14W	295	275	595	65	580x280
313093	RCTF3 214 CR/T8/95	2x14W	295	275	595	65	580x280
313094	RCTF3 214 CBR/T8/95	2x14W	595	575	595	65	580x580
313095	RCTF3 314 CR/T8/95	3x14W	595	575	595	65	580x580
313096	RCTF3 414 CR/T8/95	4x14W	595	575	595	65	580x580
313097	RCTF3 128 CR/T8/95	1x28W	200	180	1195	65	1180x185
313098	RCTF3 128 CBR/T8/95	1x28W	295	275	1195	65	1180x280
313099	RCTF3 228 CR/T8/95	2x28W	295	275	1195	65	1180x280
313100	RCTF3 228 CBR/T8/95	2x28W	595	575	1195	65	1180x580
313101	RCTF3 328 CR/T8/95	3x28W	595	575	1195	65	1180x580
313102	RCTF3 428 CR/T8/95	4x28W	595	575	1195	65	1180x580
313103	RCTF3 154 CR/T8/95	1x54W	200	180	1195	65	1180x185
313104	RCTF3 154 CBR/T8/95	1x54W	295	275	1195	65	1180x280
313105	RCTF3 254 CR/T8/95	2x54W	295	275	1195	65	1180x280
313106	RCTF3 254 CBR/T8/95	2x54W	595	575	1195	65	1180x580
313107	RCTF3 354 CR/T8/95	3x54W	595	575	1195	65	1180x580
313108	RCTF3 454 CR/T8/95	4x54W	595	575	1195	65	1180x580

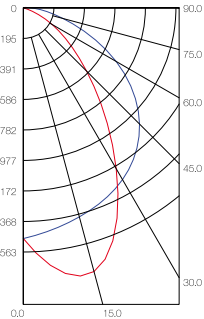
ORDERING DATA : RCTF3 114 CR / T8 / 95
A B

A = Thickness (T6 = 0.6mm., T8 = 0.8mm.)
B = Total of Reflectance (95 = TR95%)

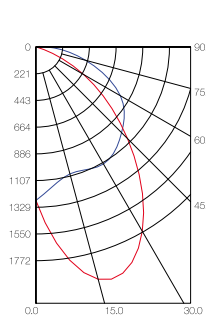
T5 RECESSED CEILING MOUNTED MULTI-PROFILE LOUVER LUMINAIRE : TR 87%



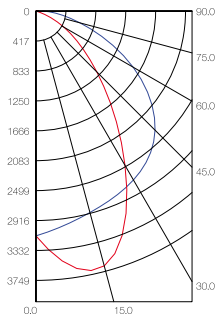
Model. RCTFO 214 VRY



Model. RCTFO 314 VRY



Model. RCTFO 228 VRY



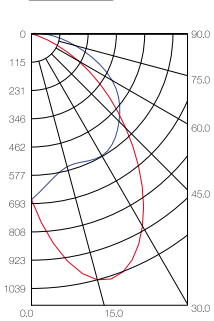
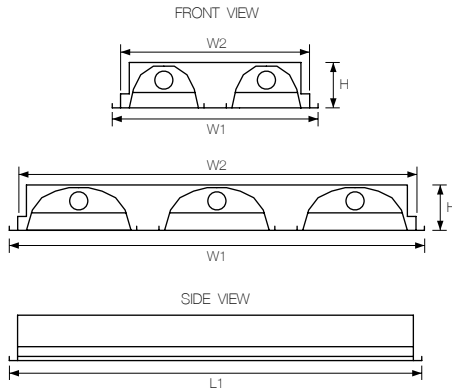
Model. RCTFO 328 VRY

Item	Model	Watt	Dimension (mm.)				Mounting Area (mm.)
			W1	W2	L	H	
313109	RCTFO 214 VRY/T4/87	2x14W	295	275	595	65	580x280
313110	RCTFO 314 VRY/T4/87	3x14W	595	575	595	65	580x580
313111	RCTFO 228 VRY/T4/87	2x28W	295	275	1195	65	1180x280
313112	RCTFO 328 VRY/T4/87	3x28W	595	575	1195	65	1180x580
313113	RCTFO 254 VRY/T4/87	2x54W	295	275	1195	65	1180x280
313114	RCTFO 354 VRY/T4/87	3x54W	595	575	1195	65	1180x580
313115	RCTFO 214 VRY/T6/87	2x14W	295	275	595	65	580x280
313116	RCTFO 314 VRY/T6/87	3x14W	595	575	595	65	580x580
313117	RCTFO 228 VRY/T6/87	2x28W	295	275	1195	65	1180x280
313118	RCTFO 328 VRY/T6/87	3x28W	595	575	1195	65	1180x580
313119	RCTFO 254 VRY/T6/87	2x54W	295	275	1195	65	1180x280
313120	RCTFO 354 VRY/T6/87	3x54W	595	575	1195	65	1180x580
313121	RCTFO 214 VRY/T8/87	2x14W	295	275	595	65	580x280
313122	RCTFO 314 VRY/T8/87	3x14W	595	575	595	65	580x580
313123	RCTFO 228 VRY/T8/87	2x28W	295	275	1195	65	1180x280
313124	RCTFO 328 VRY/T8/87	3x28W	595	575	1195	65	1180x580
313125	RCTFO 254 VRY/T8/87	2x54W	295	275	1195	65	1180x280
313126	RCTFO 354 VRY/T8/87	3x54W	595	575	1195	65	1180x580

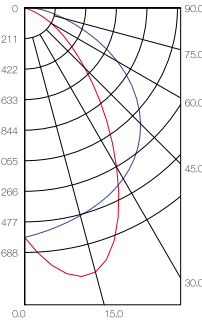
ORDERING DATA : RCTFO 114 VRY / T4 / 87
A B

A = Thickness (T4 = 0.4mm.)
B = Total of Reflectance (87 = TR87%)

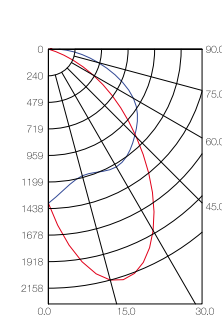
T5 RECESSED CEILING MOUNTED MULTI-PROFILE LOUVER LUMINAIRE : TR 95%



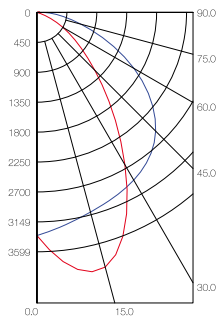
Model. RCTFO 214 VRY



Model. RCTFO 314 VRY



Model. RCTFO 228 VRY



Model. RCTFO 328 VRY

Item	Model	Watt	Dimension (mm.)				Mounting Area (mm.)
			W1	W2	L	H	
313127	RCTFO 214 VRY/T4/95	2x14W	295	275	595	65	580x280
313128	RCTFO 314 VRY/T4/95	3x14W	595	575	595	65	580x580
313129	RCTFO 228 VRY/T4/95	2x28W	295	275	1195	65	1180x280
313130	RCTFO 328 VRY/T4/95	3x28W	595	575	1195	65	1180x580
313131	RCTFO 254 VRY/T4/95	2x54W	295	275	1195	65	1180x280
313132	RCTFO 354 VRY/T4/95	3x54W	595	575	1195	65	1180x580
313133	RCTFO 214 VRY/T6/95	2x14W	295	275	595	65	580x280
313134	RCTFO 314 VRY/T6/95	3x14W	595	575	595	65	580x580
313135	RCTFO 228 VRY/T6/95	2x28W	295	275	1195	65	1180x280
313136	RCTFO 328 VRY/T6/95	3x28W	595	575	1195	65	1180x580
313137	RCTFO 254 VRY/T6/95	2x54W	295	275	1195	65	1180x280
313138	RCTFO 354 VRY/T6/95	3x54W	595	575	1195	65	1180x580
313139	RCTFO 214 VRY/T8/95	2x14W	295	275	595	65	580x280
313140	RCTFO 314 VRY/T8/95	3x14W	595	575	595	65	580x580
313141	RCTFO 228 VRY/T8/95	2x28W	295	275	1195	65	1180x280
313142	RCTFO 328 VRY/T8/95	3x28W	595	575	1195	65	1180x580
313143	RCTFO 254 VRY/T8/95	2x54W	295	275	1195	65	1180x280
313144	RCTFO 354 VRY/T8/95	3x54W	595	575	1195	65	1180x580

ORDERING DATA : RCTFO 114 VRY / T4 / 95
A B

A = Thickness (T4 = 0.4mm.)
B = Total of Reflectance (95 = TR95%)