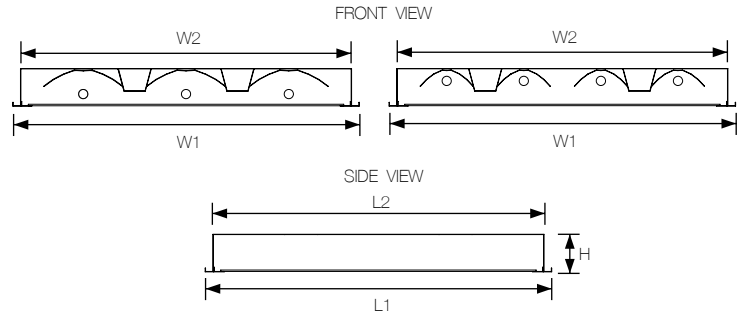
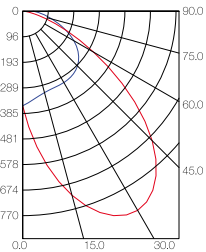


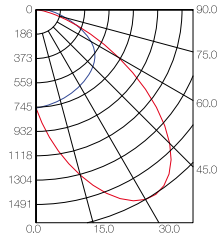
T5 RECESSED CEILING MOUNTED ACRYLIC DIFFUSER LUMINAIRE : TR 87%



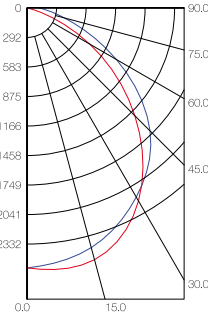
— 0.0
— 90.0



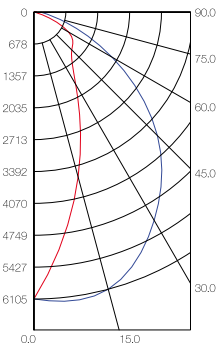
Model. RCTF3 128 PBR



Model. RCTF3 228 PBR



Model. RCTF3 328 PR



Model. RCTF3 428 PR

Item	Model	Watt	Dimension (mm.)					Mounting Area (mm.)
			W1	W2	L1	L2	H	
313145	RCTF3 114 PR/P/T4/87	1x14W	200	180	595	575	65	580x185
313146	RCTF3 114 PBR/P/T4/87	1x14W	295	275	595	575	65	580x280
313147	RCTF3 214 PR/P/T4/87	2x14W	295	275	595	575	65	580x280
313148	RCTF3 214 PBR/P/T4/87	2x14W	595	575	595	575	65	580x580
313149	RCTF3 314 PR/P/T4/87	3x14W	595	575	595	575	65	580x580
313150	RCTF3 414 PR/P/T4/87	4x14W	595	575	595	575	65	580x580
313151	RCTF3 128 PR/P/T4/87	1x28W	200	180	1195	1175	65	1180x185
313152	RCTF3 128 PBR/P/T4/87	1x28W	295	275	1195	1175	65	1180x280
313153	RCTF3 228 PR/P/T4/87	2x28W	295	275	1195	1175	65	1180x280
313154	RCTF3 228 PBR/P/T4/87	2x28W	595	575	1195	1175	65	1180x580
313155	RCTF3 328 PR/P/T4/87	3x28W	595	575	1195	1175	65	1180x580
313156	RCTF3 428 PR/P/T4/87	4x28W	595	575	1195	1175	65	1180x580
313157	RCTF3 154 PR/P/T4/87	1x54W	200	180	1195	1175	65	1180x185
313158	RCTF3 154 PBR/P/T4/87	1x54W	295	275	1195	1175	65	1180x280
313159	RCTF3 254 PR/P/T4/87	2x54W	295	275	1195	1175	65	1180x280
313160	RCTF3 254 PBR/P/T4/87	2x54W	595	575	1195	1175	65	1180x580
313161	RCTF3 354 PR/P/T4/87	3x54W	595	575	1195	1175	65	1180x580
313162	RCTF3 454 PR/P/T4/87	4x54W	595	575	1195	1175	65	1180x580

ORDERING DATA : RCTF3 114 PR / P / T4 / 87
A B C

A = Acrylic (P = Prismatic, M = Milky, O = Embossed, C = Transparent)

B = Thickness (T4 = 0.4mm.)

C = Total of Reflectance (87 = TR87%)

T5 RECESSED CEILING MOUNTED ACRYLIC DIFFUSER LUMINAIRE : TR 87%

Item	Model	Watt	Dimension (mm.)					Mounting Area (mm.)
			W1	W2	L1	L2	H	
313163	RCTF3 114 PR/P/T6/87	1x14W	200	180	595	575	65	580x185
313164	RCTF3 114 PBR/P/T6/87	1x14W	295	275	595	575	65	580x280
313165	RCTF3 214 PR/P/T6/87	2x14W	295	275	595	575	65	580x280
313166	RCTF3 214 PBR/P/T6/87	2x14W	595	575	595	575	65	580x580
313167	RCTF3 314 PR/P/T6/87	3x14W	595	575	595	575	65	580x580
313168	RCTF3 414 PR/P/T6/87	4x14W	595	575	595	575	65	580x580
313169	RCTF3 128 PR/P/T6/87	1x28W	200	180	1195	1175	65	1180x185
313170	RCTF3 128 PBR/P/T6/87	1x28W	295	275	1195	1175	65	1180x280
313171	RCTF3 228 PR/P/T6/87	2x28W	295	275	1195	1175	65	1180x280
313172	RCTF3 228 PBR/P/T6/87	2x28W	595	575	1195	1175	65	1180x580
313173	RCTF3 328 PR/P/T6/87	3x28W	595	575	1195	1175	65	1180x580
313174	RCTF3 428 PR/P/T6/87	4x28W	595	575	1195	1175	65	1180x580
313175	RCTF3 154 PR/P/T6/87	1x54W	200	180	1195	1175	65	1180x185
313176	RCTF3 154 PBR/P/T6/87	1x54W	295	275	1195	1175	65	1180x280
313177	RCTF3 254 PR/P/T6/87	2x54W	295	275	1195	1175	65	1180x280
313178	RCTF3 254 PBR/P/T6/87	2x54W	595	575	1195	1175	65	1180x580
313179	RCTF3 354 PR/P/T6/87	3x54W	595	575	1195	1175	65	1180x580
313180	RCTF3 454 PR/P/T6/87	4x54W	595	575	1195	1175	65	1180x580

Item	Model	Watt	Dimension (mm.)					Mounting Area (mm.)
			W1	W2	L1	L2	H	
313181	RCTF3 114 PR/P/T8/87	1x14W	200	180	595	575	65	580x185
313182	RCTF3 114 PBR/P/T8/87	1x14W	295	275	595	575	65	580x280
313183	RCTF3 214 PR/P/T8/87	2x14W	295	275	595	575	65	580x280
313184	RCTF3 214 PBR/P/T8/87	2x14W	595	575	595	575	65	580x580
313185	RCTF3 314 PR/P/T8/87	3x14W	595	575	595	575	65	580x580
313186	RCTF3 414 PR/P/T8/87	4x14W	595	575	595	575	65	580x580
313187	RCTF3 128 PR/P/T8/87	1x28W	200	180	1195	1175	65	1180x185
313188	RCTF3 128 PBR/P/T8/87	1x28W	295	275	1195	1175	65	1180x280
313189	RCTF3 228 PR/P/T8/87	2x28W	295	275	1195	1175	65	1180x280
313190	RCTF3 228 PBR/P/T8/87	2x28W	595	575	1195	1175	65	1180x580
313191	RCTF3 328 PR/P/T8/87	3x28W	595	575	1195	1175	65	1180x580
313192	RCTF3 428 PR/P/T8/87	4x28W	595	575	1195	1175	65	1180x580
313193	RCTF3 154 PR/P/T8/87	1x54W	200	180	1195	1175	65	1180x185
313194	RCTF3 154 PBR/P/T8/87	1x54W	295	275	1195	1175	65	1180x280
313195	RCTF3 254 PR/P/T8/87	2x54W	295	275	1195	1175	65	1180x280
313196	RCTF3 254 PBR/P/T8/87	2x54W	595	575	1195	1175	65	1180x580
313197	RCTF3 354 PR/P/T8/87	3x54W	595	575	1195	1175	65	1180x580
313198	RCTF3 454 PR/P/T8/87	4x54W	595	575	1195	1175	65	1180x580

ORDERING DATA : RCTF3 114 PR / P / T6 / 87
A B C

A = Acrylic (P = Prismatic , M = Milky , O = Embossed ,
C = Transparent)

B = Thickness (T6 = 0.6mm. , T8 = 0.8mm.)

C = Total of Reflectance (87 = TR87%)

T5 RECESSED CEILING MOUNTED ACRYLIC DIFFUSER LUMINAIRE : TR 87%

Item	Model	Watt	Dimension (mm.)					Mounting Area (mm.)
			W1	W2	L1	L2	H	
313325	RCTF3 114 PR/M/T4/87	1x14W	200	180	595	575	65	580x185
313326	RCTF3 114 PBR/M/T4/87	1x14W	295	275	595	575	65	580x280
313327	RCTF3 214 PR/M/T4/87	2x14W	295	275	595	575	65	580x280
313328	RCTF3 214 PBR/M/T4/87	2x14W	595	575	595	575	65	580x580
313329	RCTF3 314 PR/M/T4/87	3x14W	595	575	595	575	65	580x580
313330	RCTF3 414 PR/M/T4/87	4x14W	595	575	595	575	65	580x580
313331	RCTF3 128 PR/M/T4/87	1x28W	200	180	1195	1175	65	1180x185
313332	RCTF3 128 PBR/M/T4/87	1x28W	295	275	1195	1175	65	1180x280
313333	RCTF3 228 PR/M/T4/87	2x28W	295	275	1195	1175	65	1180x280
313334	RCTF3 228 PBR/M/T4/87	2x28W	595	575	1195	1175	65	1180x580
313335	RCTF3 328 PR/M/T4/87	3x28W	595	575	1195	1175	65	1180x580
313336	RCTF3 428 PR/M/T4/87	4x28W	595	575	1195	1175	65	1180x580
313337	RCTF3 154 PR/M/T4/87	1x54W	200	180	1195	1175	65	1180x185
313338	RCTF3 154 PBR/M/T4/87	1x54W	295	275	1195	1175	65	1180x280
313339	RCTF3 254 PR/M/T4/87	2x54W	295	275	1195	1175	65	1180x280
313340	RCTF3 254 PBR/M/T4/87	2x54W	595	575	1195	1175	65	1180x580
313341	RCTF3 354 PR/M/T4/87	3x54W	595	575	1195	1175	65	1180x580
313342	RCTF3 454 PR/M/T4/87	4x54W	595	575	1195	1175	65	1180x580

Item	Model	Watt	Dimension (mm.)					Mounting Area (mm.)
			W1	W2	L1	L2	H	
313343	RCTF3 114 PR/M/T6/87	1x14W	200	180	595	575	65	580x185
313344	RCTF3 114 PBR/M/T6/87	1x14W	295	275	595	575	65	580x280
313345	RCTF3 214 PR/M/T6/87	2x14W	295	275	595	575	65	580x280
313346	RCTF3 214 PBR/M/T6/87	2x14W	595	575	595	575	65	580x580
313347	RCTF3 314 PR/M/T6/87	3x14W	595	575	595	575	65	580x580
313348	RCTF3 414 PR/M/T6/87	4x14W	595	575	595	575	65	580x580
313349	RCTF3 128 PR/M/T6/87	1x28W	200	180	1195	1175	65	1180x185
313350	RCTF3 128 PBR/M/T6/87	1x28W	295	275	1195	1175	65	1180x280
313351	RCTF3 228 PR/M/T6/87	2x28W	295	275	1195	1175	65	1180x280
313352	RCTF3 228 PBR/M/T6/87	2x28W	595	575	1195	1175	65	1180x580
313353	RCTF3 328 PR/M/T6/87	3x28W	595	575	1195	1175	65	1180x580
313354	RCTF3 428 PR/M/T6/87	4x28W	595	575	1195	1175	65	1180x580
313355	RCTF3 154 PR/M/T6/87	1x54W	200	180	1195	1175	65	1180x185
313356	RCTF3 154 PBR/M/T6/87	1x54W	295	275	1195	1175	65	1180x280
313357	RCTF3 254 PR/M/T6/87	2x54W	295	275	1195	1175	65	1180x280
313358	RCTF3 254 PBR/M/T6/87	2x54W	595	575	1195	1175	65	1180x580
313359	RCTF3 354 PR/M/T6/87	3x54W	595	575	1195	1175	65	1180x580
313360	RCTF3 454 PR/M/T6/87	4x54W	595	575	1195	1175	65	1180x580

ORDERING DATA : RCTF3 114 PR / M / T6 / 87
A B C

A = Acrylic (P = Prismatic , M = Milky , O = Embossed ,
C = Transparent)

B = Thickness (T4 = 0.4mm. , T6 = 0.6mm.)

C = Total of Reflectance (87 = TR87%)

T5 RECESSED CEILING MOUNTED ACRYLIC DIFFUSER LUMINAIRE : TR 87%

Item	Model	Watt	Dimension (mm.)					Mounting Area (mm.)
			W1	W2	L1	L2	H	
313361	RCTF3 114 PR/M/T8/87	1x14W	200	180	595	575	65	580x185
313362	RCTF3 114 PBR/M/T8/87	1x14W	295	275	595	575	65	580x280
313363	RCTF3 214 PR/M/T8/87	2x14W	295	275	595	575	65	580x280
313364	RCTF3 214 PBR/M/T8/87	2x14W	595	575	595	575	65	580x580
313365	RCTF3 314 PR/M/T8/87	3x14W	595	575	595	575	65	580x580
313366	RCTF3 414 PR/M/T8/87	4x14W	595	575	595	575	65	580x580
313367	RCTF3 128 PR/M/T8/87	1x28W	200	180	1195	1175	65	1180x185
313368	RCTF3 128 PBR/M/T8/87	1x28W	295	275	1195	1175	65	1180x280
313369	RCTF3 228 PR/M/T8/87	2x28W	295	275	1195	1175	65	1180x280
313370	RCTF3 228 PBR/M/T8/87	2x28W	595	575	1195	1175	65	1180x580
313371	RCTF3 328 PR/M/T8/87	3x28W	595	575	1195	1175	65	1180x580
313372	RCTF3 428 PR/M/T8/87	4x28W	595	575	1195	1175	65	1180x580
313373	RCTF3 154 PR/M/T8/87	1x54W	200	180	1195	1175	65	1180x185
313374	RCTF3 154 PBR/M/T8/87	1x54W	295	275	1195	1175	65	1180x280
313375	RCTF3 254 PR/M/T8/87	2x54W	295	275	1195	1175	65	1180x280
313376	RCTF3 254 PBR/M/T8/87	2x54W	595	575	1195	1175	65	1180x580
313377	RCTF3 354 PR/M/T8/87	3x54W	595	575	1195	1175	65	1180x580
313378	RCTF3 454 PR/M/T8/87	4x54W	595	575	1195	1175	65	1180x580

 ORDERING DATA : RCTF3 114 PR / M / T8 / 87
 A B C

 A = Acrylic (P = Prismatic , M = Milky , O = Embossed ,
 C = Transparent)
 B = Thickness (T8 = 0.8mm.)
 C = Total of Reflectance (87 = TR87%)

T5 RECESSED CEILING MOUNTED ACRYLIC DIFFUSER LUMINAIRE : TR 87%

Item	Model	Watt	Dimension (mm.)					Mounting Area (mm.)
			W1	W2	L1	L2	H	
313379	RCTF3 114 PR/O/T4/87	1x14W	200	180	595	575	65	580x185
313380	RCTF3 114 PBR/O/T4/87	1x14W	295	275	595	575	65	580x280
313381	RCTF3 214 PR/O/T4/87	2x14W	295	275	595	575	65	580x280
313382	RCTF3 214 PBR/O/T4/87	2x14W	595	575	595	575	65	580x580
313383	RCTF3 314 PR/O/T4/87	3x14W	595	575	595	575	65	580x580
313384	RCTF3 414 PR/O/T4/87	4x14W	595	575	595	575	65	580x580
313385	RCTF3 128 PR/O/T4/87	1x28W	200	180	1195	1175	65	1180x185
313386	RCTF3 128 PBR/O/T4/87	1x28W	295	275	1195	1175	65	1180x280
313387	RCTF3 228 PR/O/T4/87	2x28W	295	275	1195	1175	65	1180x280
313388	RCTF3 228 PBR/O/T4/87	2x28W	595	575	1195	1175	65	1180x580
313389	RCTF3 328 PR/O/T4/87	3x28W	595	575	1195	1175	65	1180x580
313390	RCTF3 428 PR/O/T4/87	4x28W	595	575	1195	1175	65	1180x580
313391	RCTF3 154 PR/O/T4/87	1x54W	200	180	1195	1175	65	1180x185
313392	RCTF3 154 PBR/O/T4/87	1x54W	295	275	1195	1175	65	1180x280
313393	RCTF3 254 PR/O/T4/87	2x54W	295	275	1195	1175	65	1180x280
313394	RCTF3 254 PBR/O/T4/87	2x54W	595	575	1195	1175	65	1180x580
313395	RCTF3 354 PR/O/T4/87	3x54W	595	575	1195	1175	65	1180x580
313396	RCTF3 454 PR/O/T4/87	4x54W	595	575	1195	1175	65	1180x580

Item	Model	Watt	Dimension (mm.)					Mounting Area (mm.)
			W1	W2	L1	L2	H	
313397	RCTF3 114 PR/O/T6/87	1x14W	200	180	595	575	65	580x185
313398	RCTF3 114 PBR/O/T6/87	1x14W	295	275	595	575	65	580x280
313399	RCTF3 214 PR/O/T6/87	2x14W	295	275	595	575	65	580x280
313400	RCTF3 214 PBR/O/T6/87	2x14W	595	575	595	575	65	580x580
313401	RCTF3 314 PR/O/T6/87	3x14W	595	575	595	575	65	580x580
313402	RCTF3 414 PR/O/T6/87	4x14W	595	575	595	575	65	580x580
313403	RCTF3 128 PR/O/T6/87	1x28W	200	180	1195	1175	65	1180x185
313404	RCTF3 128 PBR/O/T6/87	1x28W	295	275	1195	1175	65	1180x280
313405	RCTF3 228 PR/O/T6/87	2x28W	295	275	1195	1175	65	1180x280
313406	RCTF3 228 PBR/O/T6/87	2x28W	595	575	1195	1175	65	1180x580
313407	RCTF3 328 PR/O/T6/87	3x28W	595	575	1195	1175	65	1180x580
313408	RCTF3 428 PR/O/T6/87	4x28W	595	575	1195	1175	65	1180x580
313409	RCTF3 154 PR/O/T6/87	1x54W	200	180	1195	1175	65	1180x185
313410	RCTF3 154 PBR/O/T6/87	1x54W	295	275	1195	1175	65	1180x280
313411	RCTF3 254 PR/O/T6/87	2x54W	295	275	1195	1175	65	1180x280
313412	RCTF3 254 PBR/O/T6/87	2x54W	595	575	1195	1175	65	1180x580
313413	RCTF3 354 PR/O/T6/87	3x54W	595	575	1195	1175	65	1180x580
313414	RCTF3 454 PR/O/T6/87	4x54W	595	575	1195	1175	65	1180x580

ORDERING DATA : RCTF3 114 PR / O / T4 / 87
A B C

A = Acrylic (P = Prismatic , M = Milky , O = Embossed ,
C = Transparent)

B = Thickness (T4 = 0.4mm., T6 = 0.6mm.)

C = Total of Reflectance (87 = TR87%)

T5 RECESSED CEILING MOUNTED ACRYLIC DIFFUSER LUMINAIRE : TR 87%

Item	Model	Watt	Dimension (mm.)					Mounting Area (mm.)
			W1	W2	L1	L2	H	
313415	RCTF3 114 PR/O/T8/87	1x14W	200	180	595	575	65	580x185
313416	RCTF3 114 PBR/O/T8/87	1x14W	295	275	595	575	65	580x280
313417	RCTF3 214 PR/O/T8/87	2x14W	295	275	595	575	65	580x280
313418	RCTF3 214 PBR/O/T8/87	2x14W	595	575	595	575	65	580x580
313419	RCTF3 314 PR/O/T8/87	3x14W	595	575	595	575	65	580x580
313420	RCTF3 414 PR/O/T8/87	4x14W	595	575	595	575	65	580x580
313421	RCTF3 128 PR/O/T8/87	1x28W	200	180	1195	1175	65	1180x185
313422	RCTF3 128 PBR/O/T8/87	1x28W	295	275	1195	1175	65	1180x280
313423	RCTF3 228 PR/O/T8/87	2x28W	295	275	1195	1175	65	1180x280
313424	RCTF3 228 PBR/O/T8/87	2x28W	595	575	1195	1175	65	1180x580
313425	RCTF3 328 PR/O/T8/87	3x28W	595	575	1195	1175	65	1180x580
313426	RCTF3 428 PR/O/T8/87	4x28W	595	575	1195	1175	65	1180x580
313427	RCTF3 154 PR/O/T8/87	1x54W	200	180	1195	1175	65	1180x185
313428	RCTF3 154 PBR/O/T8/87	1x54W	295	275	1195	1175	65	1180x280
313429	RCTF3 254 PR/O/T8/87	2x54W	295	275	1195	1175	65	1180x280
313430	RCTF3 254 PBR/O/T8/87	2x54W	595	575	1195	1175	65	1180x580
313431	RCTF3 354 PR/O/T8/87	3x54W	595	575	1195	1175	65	1180x580
313432	RCTF3 454 PR/O/T8/87	4x54W	595	575	1195	1175	65	1180x580

 ORDERING DATA : RCTF3 114 PR / O / T8 / 87
 A B C

 A = Acrylic (P = Prismatic , M = Milky , O = Embossed ,
 C = Transparent)

B = Thickness (T8 = 0.8mm.)

C = Total of Reflectance (87 = TR87%)

T5 RECESSED CEILING MOUNTED ACRYLIC DIFFUSER LUMINAIRE : TR 87%

Item	Model	Watt	Dimension (mm.)					Mounting Area (mm.)
			W1	W2	L1	L2	H	
313433	RCTF3 114 PR/C/T4/87	1x14W	200	180	595	575	65	580x185
313434	RCTF3 114 PBR/C/T4/87	1x14W	295	275	595	575	65	580x280
313435	RCTF3 214 PR/C/T4/87	2x14W	295	275	595	575	65	580x280
313436	RCTF3 214 PBR/C/T4/87	2x14W	595	575	595	575	65	580x580
313437	RCTF3 314 PR/C/T4/87	3x14W	595	575	595	575	65	580x580
313438	RCTF3 414 PR/C/T4/87	4x14W	595	575	595	575	65	580x580
313439	RCTF3 128 PR/C/T4/87	1x28W	200	180	1195	1175	65	1180x185
313440	RCTF3 128 PBR/C/T4/87	1x28W	295	275	1195	1175	65	1180x280
313441	RCTF3 228 PR/C/T4/87	2x28W	295	275	1195	1175	65	1180x280
313442	RCTF3 228 PBR/C/T4/87	2x28W	595	575	1195	1175	65	1180x580
313443	RCTF3 328 PR/C/T4/87	3x28W	595	575	1195	1175	65	1180x580
313444	RCTF3 428 PR/C/T4/87	4x28W	595	575	1195	1175	65	1180x580
313445	RCTF3 154 PR/C/T4/87	1x54W	200	180	1195	1175	65	1180x185
313446	RCTF3 154 PBR/C/T4/87	1x54W	295	275	1195	1175	65	1180x280
313447	RCTF3 254 PR/C/T4/87	2x54W	295	275	1195	1175	65	1180x280
313448	RCTF3 254 PBR/C/T4/87	2x54W	595	575	1195	1175	65	1180x580
313449	RCTF3 354 PR/C/T4/87	3x54W	595	575	1195	1175	65	1180x580
313450	RCTF3 454 PR/C/T4/87	4x54W	595	575	1195	1175	65	1180x580

Item	Model	Watt	Dimension (mm.)					Mounting Area (mm.)
			W1	W2	L1	L2	H	
313451	RCTF3 114 PR/C/T6/87	1x14W	200	180	595	575	65	580x185
313452	RCTF3 114 PBR/C/T6/87	1x14W	295	275	595	575	65	580x280
313453	RCTF3 214 PR/C/T6/87	2x14W	295	275	595	575	65	580x280
313454	RCTF3 214 PBR/C/T6/87	2x14W	595	575	595	575	65	580x580
313455	RCTF3 314 PR/C/T6/87	3x14W	595	575	595	575	65	580x580
313456	RCTF3 414 PR/C/T6/87	4x14W	595	575	595	575	65	580x580
313457	RCTF3 128 PR/C/T6/87	1x28W	200	180	1195	1175	65	1180x185
313458	RCTF3 128 PBR/C/T6/87	1x28W	295	275	1195	1175	65	1180x280
313459	RCTF3 228 PR/C/T6/87	2x28W	295	275	1195	1175	65	1180x280
313460	RCTF3 228 PBR/C/T6/87	2x28W	595	575	1195	1175	65	1180x580
313461	RCTF3 328 PR/C/T6/87	3x28W	595	575	1195	1175	65	1180x580
313462	RCTF3 428 PR/C/T6/87	4x28W	595	575	1195	1175	65	1180x580
313463	RCTF3 154 PR/C/T6/87	1x54W	200	180	1195	1175	65	1180x185
313464	RCTF3 154 PBR/C/T6/87	1x54W	295	275	1195	1175	65	1180x280
313465	RCTF3 254 PR/C/T6/87	2x54W	295	275	1195	1175	65	1180x280
313466	RCTF3 254 PBR/C/T6/87	2x54W	595	575	1195	1175	65	1180x580
313467	RCTF3 354 PR/C/T6/87	3x54W	595	575	1195	1175	65	1180x580
313468	RCTF3 454 PR/C/T6/87	4x54W	595	575	1195	1175	65	1180x580

ORDERING DATA : RCTF3 114 PR / C / T4 / 87
A B C

A = Acrylic (P = Prismatic, M = Milky, O = Embossed, C = Transparent)

B = Thickness (T4 = 0.4mm., T6 = 0.6mm.)

C = Total of Reflectance (87 = TR87%)

T5 RECESSED CEILING MOUNTED ACRYLIC DIFFUSER LUMINAIRE : TR 87%

Item	Model	Watt	Dimension (mm.)					Mounting Area (mm.)
			W1	W2	L1	L2	H	
313469	RCTF3 114 PR/C/T8/87	1x14W	200	180	595	575	65	580x185
313470	RCTF3 114 PBR/C/T8/87	1x14W	295	275	595	575	65	580x280
313471	RCTF3 214 PR/C/T8/87	2x14W	295	275	595	575	65	580x280
313472	RCTF3 214 PBR/C/T8/87	2x14W	595	575	595	575	65	580x580
313473	RCTF3 314 PR/C/T8/87	3x14W	595	575	595	575	65	580x580
313474	RCTF3 414 PR/C/T8/87	4x14W	595	575	595	575	65	580x580
313475	RCTF3 128 PR/C/T8/87	1x28W	200	180	1195	1175	65	1180x185
313476	RCTF3 128 PBR/C/T8/87	1x28W	295	275	1195	1175	65	1180x280
313477	RCTF3 228 PR/C/T8/87	2x28W	295	275	1195	1175	65	1180x280
313478	RCTF3 228 PBR/C/T8/87	2x28W	595	575	1195	1175	65	1180x580
313479	RCTF3 328 PR/C/T8/87	3x28W	595	575	1195	1175	65	1180x580
313480	RCTF3 428 PR/C/T8/87	4x28W	595	575	1195	1175	65	1180x580
313481	RCTF3 154 PR/C/T8/87	1x54W	200	180	1195	1175	65	1180x185
313482	RCTF3 154 PBR/C/T8/87	1x54W	295	275	1195	1175	65	1180x280
313483	RCTF3 254 PR/C/T8/87	2x54W	295	275	1195	1175	65	1180x280
313484	RCTF3 254 PBR/C/T8/87	2x54W	595	575	1195	1175	65	1180x580
313485	RCTF3 354 PR/C/T8/87	3x54W	595	575	1195	1175	65	1180x580
313486	RCTF3 454 PR/C/T8/87	4x54W	595	575	1195	1175	65	1180x580

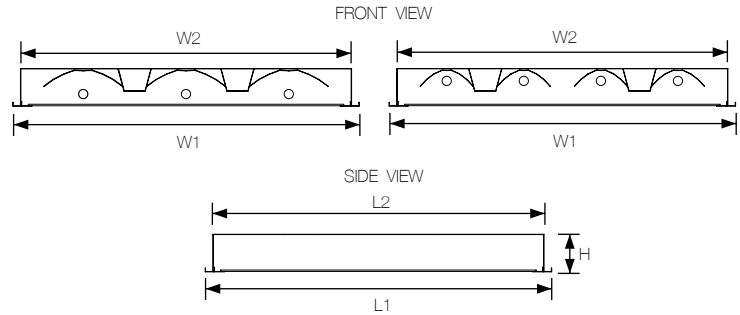
 ORDERING DATA : RCTF3 114 PR / C / T8 / 87
 A B C

 A = Acrylic (P = Prismatic , M = Milky , O = Embossed ,
 C = Transparent)

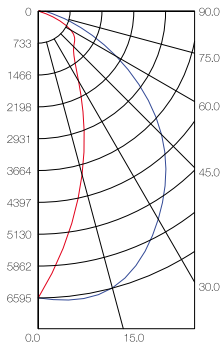
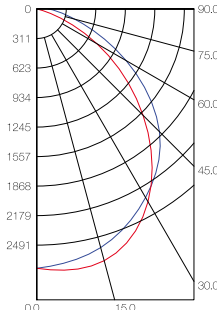
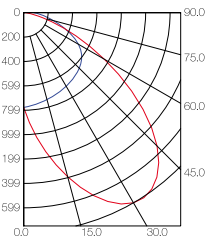
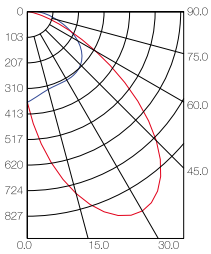
B = Thickness (T8 = 0.8mm.)

C = Total of Reflectance (87 = TR87%)

T5 RECESSED CEILING MOUNTED ACRYLIC DIFFUSER LUMINAIRE : TR 95%



— 0.0
— 90.0



Item	Model	Watt	Dimension (mm.)					Mounting Area (mm.)
			W1	W2	L1	L2	H	
313199	RCTF3 114 PR/P/T4/95	1x14W	200	180	595	575	65	580x185
313200	RCTF3 114 PBR/P/T4/95	1x14W	295	275	595	575	65	580x280
313201	RCTF3 214 PR/P/T4/95	2x14W	295	275	595	575	65	580x280
313202	RCTF3 214 PBR/P/T4/95	2x14W	595	575	595	575	65	580x580
313203	RCTF3 314 PR/P/T4/95	3x14W	595	575	595	575	65	580x580
313204	RCTF3 414 PR/P/T4/95	4x14W	595	575	595	575	65	580x580
313205	RCTF3 128 PR/P/T4/95	1x28W	200	180	1195	1175	65	1180x185
313206	RCTF3 128 PBR/P/T4/95	1x28W	295	275	1195	1175	65	1180x280
313207	RCTF3 228 PR/P/T4/95	2x28W	295	275	1195	1175	65	1180x280
313208	RCTF3 228 PBR/P/T4/95	2x28W	595	575	1195	1175	65	1180x580
313209	RCTF3 328 PR/P/T4/95	3x28W	595	575	1195	1175	65	1180x580
313210	RCTF3 428 PR/P/T4/95	4x28W	595	575	1195	1175	65	1180x580
313211	RCTF3 154 PR/P/T4/95	1x54W	200	180	1195	1175	65	1180x185
313212	RCTF3 154 PBR/P/T4/95	1x54W	295	275	1195	1175	65	1180x280
313213	RCTF3 254 PR/P/T4/95	2x54W	295	275	1195	1175	65	1180x280
313214	RCTF3 254 PBR/P/T4/95	2x54W	595	575	1195	1175	65	1180x580
313215	RCTF3 354 PR/P/T4/95	3x54W	595	575	1195	1175	65	1180x580
313216	RCTF3 454 PR/P/T4/95	4x54W	595	575	1195	1175	65	1180x580

ORDERING DATA : RCTF3 114 PR / P / T4 / 95
A B C

A = Acrylic (P = Prismatic, M = Milky, O = Embossed, C = Transparent)

B = Thickness (T4 = 0.4mm.)

C = Total of Reflectance (95 = TR95%)

T5 RECESSED CEILING MOUNTED ACRYLIC DIFFUSER LUMINAIRE : TR 95%

Item	Model	Watt	Dimension (mm.)					Mounting Area (mm.)
			W1	W2	L1	L2	H	
313217	RCTF3 114 PR/P/T6/95	1x14W	200	180	595	575	65	580x185
313218	RCTF3 114 PBR/P/T6/95	1x14W	295	275	595	575	65	580x280
313219	RCTF3 214 PR/P/T6/95	2x14W	295	275	595	575	65	580x280
313220	RCTF3 214 PBR/P/T6/95	2x14W	595	575	595	575	65	580x580
313221	RCTF3 314 PR/P/T6/95	3x14W	595	575	595	575	65	580x580
313222	RCTF3 414 PR/P/T6/95	4x14W	595	575	595	575	65	580x580
313223	RCTF3 128 PR/P/T6/95	1x28W	200	180	1195	1175	65	1180x185
313224	RCTF3 128 PBR/P/T6/95	1x28W	295	275	1195	1175	65	1180x280
313225	RCTF3 228 PR/P/T6/95	2x28W	295	275	1195	1175	65	1180x280
313226	RCTF3 228 PBR/P/T6/95	2x28W	595	575	1195	1175	65	1180x580
313227	RCTF3 328 PR/P/T6/95	3x28W	595	575	1195	1175	65	1180x580
313228	RCTF3 428 PR/P/T6/95	4x28W	595	575	1195	1175	65	1180x580
313229	RCTF3 154 PR/P/T6/95	1x54W	200	180	1195	1175	65	1180x185
313230	RCTF3 154 PBR/P/T6/95	1x54W	295	275	1195	1175	65	1180x280
313231	RCTF3 254 PR/P/T6/95	2x54W	295	275	1195	1175	65	1180x280
313232	RCTF3 254 PBR/P/T6/95	2x54W	595	575	1195	1175	65	1180x580
313233	RCTF3 354 PR/P/T6/95	3x54W	595	575	1195	1175	65	1180x580
313234	RCTF3 454 PR/P/T6/95	4x54W	595	575	1195	1175	65	1180x580

Item	Model	Watt	Dimension (mm.)					Mounting Area (mm.)
			W1	W2	L1	L2	H	
313235	RCTF3 114 PR/P/T8/95	1x14W	200	180	595	575	65	580x185
313236	RCTF3 114 PBR/P/T8/95	1x14W	295	275	595	575	65	580x280
313237	RCTF3 214 PR/P/T8/95	2x14W	295	275	595	575	65	580x280
313238	RCTF3 214 PBR/P/T8/95	2x14W	595	575	595	575	65	580x580
313239	RCTF3 314 PR/P/T8/95	3x14W	595	575	595	575	65	580x580
313240	RCTF3 414 PR/P/T8/95	4x14W	595	575	595	575	65	580x580
313241	RCTF3 128 PR/P/T8/95	1x28W	200	180	1195	1175	65	1180x185
313242	RCTF3 128 PBR/P/T8/95	1x28W	295	275	1195	1175	65	1180x280
313243	RCTF3 228 PR/P/T8/95	2x28W	295	275	1195	1175	65	1180x280
313244	RCTF3 228 PBR/P/T8/95	2x28W	595	575	1195	1175	65	1180x580
313245	RCTF3 328 PR/P/T8/95	3x28W	595	575	1195	1175	65	1180x580
313246	RCTF3 428 PR/P/T8/95	4x28W	595	575	1195	1175	65	1180x580
313247	RCTF3 154 PR/P/T8/95	1x54W	200	180	1195	1175	65	1180x185
313248	RCTF3 154 PBR/P/T8/95	1x54W	295	275	1195	1175	65	1180x280
313249	RCTF3 254 PR/P/T8/95	2x54W	295	275	1195	1175	65	1180x280
313250	RCTF3 254 PBR/P/T8/95	2x54W	595	575	1195	1175	65	1180x580
313251	RCTF3 354 PR/P/T8/95	3x54W	595	575	1195	1175	65	1180x580
313252	RCTF3 454 PR/P/T8/95	4x54W	595	575	1195	1175	65	1180x580

ORDERING DATA : RCTF3 114 PR / P / T6 / 95
A B C

A = Acrylic (P = Prismatic, M = Milky, O = Embossed, C = Transparent)

B = Thickness (T6 = 0.6mm., T8 = 0.8mm.)

C = Total of Reflectance (95 = TR95%)

T5 RECESSED CEILING MOUNTED ACRYLIC DIFFUSER LUMINAIRE : TR 95%

Item	Model	Watt	Dimension (mm.)					Mounting Area (mm.)
			W1	W2	L1	L2	H	
313487	RCTF3 114 PR/M/T4/95	1x14W	200	180	595	575	65	580x185
313488	RCTF3 114 PBR/M/T4/95	1x14W	295	275	595	575	65	580x280
313489	RCTF3 214 PR/M/T4/95	2x14W	295	275	595	575	65	580x280
313490	RCTF3 214 PBR/M/T4/95	2x14W	595	575	595	575	65	580x580
313491	RCTF3 314 PR/M/T4/95	3x14W	595	575	595	575	65	580x580
313492	RCTF3 414 PR/M/T4/95	4x14W	595	575	595	575	65	580x580
313493	RCTF3 128 PR/M/T4/95	1x28W	200	180	1195	1175	65	1180x185
313494	RCTF3 128 PBR/M/T4/95	1x28W	295	275	1195	1175	65	1180x280
313495	RCTF3 228 PR/M/T4/95	2x28W	295	275	1195	1175	65	1180x280
313496	RCTF3 228 PBR/M/T4/95	2x28W	595	575	1195	1175	65	1180x580
313497	RCTF3 328 PR/M/T4/95	3x28W	595	575	1195	1175	65	1180x580
313498	RCTF3 428 PR/M/T4/95	4x28W	595	575	1195	1175	65	1180x580
313499	RCTF3 154 PR/M/T4/95	1x54W	200	180	1195	1175	65	1180x185
313500	RCTF3 154 PBR/M/T4/95	1x54W	295	275	1195	1175	65	1180x280
313501	RCTF3 254 PR/M/T4/95	2x54W	295	275	1195	1175	65	1180x280
313502	RCTF3 254 PBR/M/T4/95	2x54W	595	575	1195	1175	65	1180x580
313503	RCTF3 354 PR/M/T4/95	3x54W	595	575	1195	1175	65	1180x580
313504	RCTF3 454 PR/M/T4/95	4x54W	595	575	1195	1175	65	1180x580

Item	Model	Watt	Dimension (mm.)					Mounting Area (mm.)
			W1	W2	L1	L2	H	
313505	RCTF3 114 PR/M/T6/95	1x14W	200	180	595	575	65	580x185
313506	RCTF3 114 PBR/M/T6/95	1x14W	295	275	595	575	65	580x280
313507	RCTF3 214 PR/M/T6/95	2x14W	295	275	595	575	65	580x280
313508	RCTF3 214 PBR/M/T6/95	2x14W	595	575	595	575	65	580x580
313509	RCTF3 314 PR/M/T6/95	3x14W	595	575	595	575	65	580x580
313510	RCTF3 414 PR/M/T6/95	4x14W	595	575	595	575	65	580x580
313511	RCTF3 128 PR/M/T6/95	1x28W	200	180	1195	1175	65	1180x185
313512	RCTF3 128 PBR/M/T6/95	1x28W	295	275	1195	1175	65	1180x280
313513	RCTF3 228 PR/M/T6/95	2x28W	295	275	1195	1175	65	1180x280
313514	RCTF3 228 PBR/M/T6/95	2x28W	595	575	1195	1175	65	1180x580
313515	RCTF3 328 PR/M/T6/95	3x28W	595	575	1195	1175	65	1180x580
313516	RCTF3 428 PR/M/T6/95	4x28W	595	575	1195	1175	65	1180x580
313517	RCTF3 154 PR/M/T6/95	1x54W	200	180	1195	1175	65	1180x185
313518	RCTF3 154 PBR/M/T6/95	1x54W	295	275	1195	1175	65	1180x280
313519	RCTF3 254 PR/M/T6/95	2x54W	295	275	1195	1175	65	1180x280
313520	RCTF3 254 PBR/M/T6/95	2x54W	595	575	1195	1175	65	1180x580
313521	RCTF3 354 PR/M/T6/95	3x54W	595	575	1195	1175	65	1180x580
313522	RCTF3 454 PR/M/T6/95	4x54W	595	575	1195	1175	65	1180x580

ORDERING DATA : RCTF3 114 PR / M / T4 / 95
A B C

A = Acrylic (P = Prismatic, M = Milky, O = Embossed, C = Transparent)

B = Thickness (T4 = 0.4mm., T6 = 0.6mm.)

C = Total of Reflectance (95 = TR95%)

T5 RECESSED CEILING MOUNTED ACRYLIC DIFFUSER LUMINAIRE : TR 95%

Item	Model	Watt	Dimension (mm.)					Mounting Area (mm.)
			W1	W2	L1	L2	H	
313523	RCTF3 114 PR/M/T8/95	1x14W	200	180	595	575	65	580x185
313524	RCTF3 114 PBR/M/T8/95	1x14W	295	275	595	575	65	580x280
313525	RCTF3 214 PR/M/T8/95	2x14W	295	275	595	575	65	580x280
313526	RCTF3 214 PBR/M/T8/95	2x14W	595	575	595	575	65	580x580
313527	RCTF3 314 PR/M/T8/95	3x14W	595	575	595	575	65	580x580
313528	RCTF3 414 PR/M/T8/95	4x14W	595	575	595	575	65	580x580
313529	RCTF3 128 PR/M/T8/95	1x28W	200	180	1195	1175	65	1180x185
313530	RCTF3 128 PBR/M/T8/95	1x28W	295	275	1195	1175	65	1180x280
313531	RCTF3 228 PR/M/T8/95	2x28W	295	275	1195	1175	65	1180x280
313532	RCTF3 228 PBR/M/T8/95	2x28W	595	575	1195	1175	65	1180x580
313533	RCTF3 328 PR/M/T8/95	3x28W	595	575	1195	1175	65	1180x580
313534	RCTF3 428 PR/M/T8/95	4x28W	595	575	1195	1175	65	1180x580
313535	RCTF3 154 PR/M/T8/95	1x54W	200	180	1195	1175	65	1180x185
313536	RCTF3 154 PBR/M/T8/95	1x54W	295	275	1195	1175	65	1180x280
313537	RCTF3 254 PR/M/T8/95	2x54W	295	275	1195	1175	65	1180x280
313538	RCTF3 254 PBR/M/T8/95	2x54W	595	575	1195	1175	65	1180x580
313539	RCTF3 354 PR/M/T8/95	3x54W	595	575	1195	1175	65	1180x580
313540	RCTF3 454 PR/M/T8/95	4x54W	595	575	1195	1175	65	1180x580

 ORDERING DATA : RCTF3 114 PR / M / T8 / 95
 A B C

 A = Acrylic (P = Prismatic , M = Milky , O = Embossed ,
 C = Transparent)
 B = Thickness (T8 = 0.8mm.)
 C = Total of Reflectance (95 = TR95%)

T5 RECESSED CEILING MOUNTED ACRYLIC DIFFUSER LUMINAIRE : TR 95%

Item	Model	Watt	Dimension (mm.)					Mounting Area (mm.)
			W1	W2	L1	L2	H	
313541	RCTF3 114 PR/O/T4/95	1x14W	200	180	595	575	65	580x185
313542	RCTF3 114 PBR/O/T4/95	1x14W	295	275	595	575	65	580x280
313543	RCTF3 214 PR/O/T4/95	2x14W	295	275	595	575	65	580x280
313544	RCTF3 214 PBR/O/T4/95	2x14W	595	575	595	575	65	580x580
313545	RCTF3 314 PR/O/T4/95	3x14W	595	575	595	575	65	580x580
313546	RCTF3 414 PR/O/T4/95	4x14W	595	575	595	575	65	580x580
313547	RCTF3 128 PR/O/T4/95	1x28W	200	180	1195	1175	65	1180x185
313548	RCTF3 128 PBR/O/T4/95	1x28W	295	275	1195	1175	65	1180x280
313549	RCTF3 228 PR/O/T4/95	2x28W	295	275	1195	1175	65	1180x280
313550	RCTF3 228 PBR/O/T4/95	2x28W	595	575	1195	1175	65	1180x580
313551	RCTF3 328 PR/O/T4/95	3x28W	595	575	1195	1175	65	1180x580
313552	RCTF3 428 PR/O/T4/95	4x28W	595	575	1195	1175	65	1180x580
313553	RCTF3 154 PR/O/T4/95	1x54W	200	180	1195	1175	65	1180x185
313554	RCTF3 154 PBR/O/T4/95	1x54W	295	275	1195	1175	65	1180x280
313555	RCTF3 254 PR/O/T4/95	2x54W	295	275	1195	1175	65	1180x280
313556	RCTF3 254 PBR/O/T4/95	2x54W	595	575	1195	1175	65	1180x580
313557	RCTF3 354 PR/O/T4/95	3x54W	595	575	1195	1175	65	1180x580
313558	RCTF3 454 PR/O/T4/95	4x54W	595	575	1195	1175	65	1180x580

Item	Model	Watt	Dimension (mm.)					Mounting Area (mm.)
			W1	W2	L1	L2	H	
313559	RCTF3 114 PR/O/T6/95	1x14W	200	180	595	575	65	580x185
313560	RCTF3 114 PBR/O/T6/95	1x14W	295	275	595	575	65	580x280
313561	RCTF3 214 PR/O/T6/95	2x14W	295	275	595	575	65	580x280
313562	RCTF3 214 PBR/O/T6/95	2x14W	595	575	595	575	65	580x580
313563	RCTF3 314 PR/O/T6/95	3x14W	595	575	595	575	65	580x580
313564	RCTF3 414 PR/O/T6/95	4x14W	595	575	595	575	65	580x580
313565	RCTF3 128 PR/O/T6/95	1x28W	200	180	1195	1175	65	1180x185
313566	RCTF3 128 PBR/O/T6/95	1x28W	295	275	1195	1175	65	1180x280
313567	RCTF3 228 PR/O/T6/95	2x28W	295	275	1195	1175	65	1180x280
313568	RCTF3 228 PBR/O/T6/95	2x28W	595	575	1195	1175	65	1180x580
313569	RCTF3 328 PR/O/T6/95	3x28W	595	575	1195	1175	65	1180x580
313570	RCTF3 428 PR/O/T6/95	4x28W	595	575	1195	1175	65	1180x580
313571	RCTF3 154 PR/O/T6/95	1x54W	200	180	1195	1175	65	1180x185
313572	RCTF3 154 PBR/O/T6/95	1x54W	295	275	1195	1175	65	1180x280
313573	RCTF3 254 PR/O/T6/95	2x54W	295	275	1195	1175	65	1180x280
313574	RCTF3 254 PBR/O/T6/95	2x54W	595	575	1195	1175	65	1180x580
313575	RCTF3 354 PR/O/T6/95	3x54W	595	575	1195	1175	65	1180x580
313576	RCTF3 454 PR/O/T6/95	4x54W	595	575	1195	1175	65	1180x580

ORDERING DATA : RCTF3 114 PR / O / T4 / 95
A B C

A = Acrylic (P = Prismatic, M = Milky, O = Embossed, C = Transparent)
B = Thickness (T4 = 0.4mm., T6 = 0.6mm.)
C = Total of Reflectance (95 = TR95%)

T5 RECESSED CEILING MOUNTED ACRYLIC DIFFUSER LUMINAIRE : TR 95%

Item	Model	Watt	Dimension (mm.)					Mounting Area (mm.)
			W1	W2	L1	L2	H	
313577	RCTF3 114 PR/O/T8/95	1x14W	200	180	595	575	65	580x185
313578	RCTF3 114 PBR/O/T8/95	1x14W	295	275	595	575	65	580x280
313579	RCTF3 214 PR/O/T8/95	2x14W	295	275	595	575	65	580x280
313580	RCTF3 214 PBR/O/T8/95	2x14W	595	575	595	575	65	580x580
313581	RCTF3 314 PR/O/T8/95	3x14W	595	575	595	575	65	580x580
313582	RCTF3 414 PR/O/T8/95	4x14W	595	575	595	575	65	580x580
313583	RCTF3 128 PR/O/T8/95	1x28W	200	180	1195	1175	65	1180x185
313584	RCTF3 128 PBR/O/T8/95	1x28W	295	275	1195	1175	65	1180x280
313585	RCTF3 228 PR/O/T8/95	2x28W	295	275	1195	1175	65	1180x280
313586	RCTF3 228 PBR/O/T8/95	2x28W	595	575	1195	1175	65	1180x580
313587	RCTF3 328 PR/O/T8/95	3x28W	595	575	1195	1175	65	1180x580
313588	RCTF3 428 PR/O/T8/95	4x28W	595	575	1195	1175	65	1180x580
313589	RCTF3 154 PR/O/T8/95	1x54W	200	180	1195	1175	65	1180x185
313590	RCTF3 154 PBR/O/T8/95	1x54W	295	275	1195	1175	65	1180x280
313591	RCTF3 254 PR/O/T8/95	2x54W	295	275	1195	1175	65	1180x280
313592	RCTF3 254 PBR/O/T8/95	2x54W	595	575	1195	1175	65	1180x580
313593	RCTF3 354 PR/O/T8/95	3x54W	595	575	1195	1175	65	1180x580
313594	RCTF3 454 PR/O/T8/95	4x54W	595	575	1195	1175	65	1180x580

 ORDERING DATA : RCTF3 114 PR / O / T8 / 95
 A B C

 A = Acrylic (P = Prismatic , M = Milky , O = Embossed ,
 C = Transparent)
 B = Thickness (T8 = 0.8mm.)
 C = Total of Reflectance (95 = TR95%)

T5 RECESSED CEILING MOUNTED ACRYLIC DIFFUSER LUMINAIRE : TR 95%

Item	Model	Watt	Dimension (mm.)					Mounting Area (mm.)
			W1	W2	L1	L2	H	
313595	RCTF3 114 PR/C/T4/95	1x14W	200	180	595	575	65	580x185
313596	RCTF3 114 PBR/C/T4/95	1x14W	295	275	595	575	65	580x280
313597	RCTF3 214 PR/C/T4/95	2x14W	295	275	595	575	65	580x280
313598	RCTF3 214 PBR/C/T4/95	2x14W	595	575	595	575	65	580x580
313599	RCTF3 314 PR/C/T4/95	3x14W	595	575	595	575	65	580x580
313600	RCTF3 414 PR/C/T4/95	4x14W	595	575	595	575	65	580x580
313601	RCTF3 128 PR/C/T4/95	1x28W	200	180	1195	1175	65	1180x185
313602	RCTF3 128 PBR/C/T4/95	1x28W	295	275	1195	1175	65	1180x280
313603	RCTF3 228 PR/C/T4/95	2x28W	295	275	1195	1175	65	1180x280
313604	RCTF3 228 PBR/C/T4/95	2x28W	595	575	1195	1175	65	1180x580
313605	RCTF3 328 PR/C/T4/95	3x28W	595	575	1195	1175	65	1180x580
313606	RCTF3 428 PR/C/T4/95	4x28W	595	575	1195	1175	65	1180x580
313607	RCTF3 154 PR/C/T4/95	1x54W	200	180	1195	1175	65	1180x185
313608	RCTF3 154 PBR/C/T4/95	1x54W	295	275	1195	1175	65	1180x280
313609	RCTF3 254 PR/C/T4/95	2x54W	295	275	1195	1175	65	1180x280
313610	RCTF3 254 PBR/C/T4/95	2x54W	595	575	1195	1175	65	1180x580
313611	RCTF3 354 PR/C/T4/95	3x54W	595	575	1195	1175	65	1180x580
313612	RCTF3 454 PR/C/T4/95	4x54W	595	575	1195	1175	65	1180x580

Item	Model	Watt	Dimension (mm.)					Mounting Area (mm.)
			W1	W2	L1	L2	H	
313613	RCTF3 114 PR/C/T6/95	1x14W	200	180	595	575	65	580x185
313614	RCTF3 114 PBR/C/T6/95	1x14W	295	275	595	575	65	580x280
313615	RCTF3 214 PR/C/T6/95	2x14W	295	275	595	575	65	580x280
313616	RCTF3 214 PBR/C/T6/95	2x14W	595	575	595	575	65	580x580
313617	RCTF3 314 PR/C/T6/95	3x14W	595	575	595	575	65	580x580
313618	RCTF3 414 PR/C/T6/95	4x14W	595	575	595	575	65	580x580
313619	RCTF3 128 PR/C/T6/95	1x28W	200	180	1195	1175	65	1180x185
313620	RCTF3 128 PBR/C/T6/95	1x28W	295	275	1195	1175	65	1180x280
313621	RCTF3 228 PR/C/T6/95	2x28W	295	275	1195	1175	65	1180x280
313622	RCTF3 228 PBR/C/T6/95	2x28W	595	575	1195	1175	65	1180x580
313623	RCTF3 328 PR/C/T6/95	3x28W	595	575	1195	1175	65	1180x580
313624	RCTF3 428 PR/C/T6/95	4x28W	595	575	1195	1175	65	1180x580
313625	RCTF3 154 PR/C/T6/95	1x54W	200	180	1195	1175	65	1180x185
313626	RCTF3 154 PBR/C/T6/95	1x54W	295	275	1195	1175	65	1180x280
313627	RCTF3 254 PR/C/T6/95	2x54W	295	275	1195	1175	65	1180x280
313628	RCTF3 254 PBR/C/T6/95	2x54W	595	575	1195	1175	65	1180x580
313629	RCTF3 354 PR/C/T6/95	3x54W	595	575	1195	1175	65	1180x580
313630	RCTF3 454 PR/C/T6/95	4x54W	595	575	1195	1175	65	1180x580

ORDERING DATA : RCTF3 114 PR / C / T4 / 95
A B C

A = Acrylic (P = Prismatic , M = Milky , O = Embossed ,
C = Transparent)

B = Thickness (T4 = 0.4mm., T6 = 0.6mm.)

C = Total of Reflectance (95 = TR95%)

T5 RECESSED CEILING MOUNTED ACRYLIC DIFFUSER LUMINAIRE : TR 95%

Item	Model	Watt	Dimension (mm.)					Mounting Area (mm.)
			W1	W2	L1	L2	H	
313631	RCTF3 114 PR/C/T8/95	1x14W	200	180	595	575	65	580x185
313632	RCTF3 114 PBR/C/T8/95	1x14W	295	275	595	575	65	580x280
313633	RCTF3 214 PR/C/T8/95	2x14W	295	275	595	575	65	580x280
313634	RCTF3 214 PBR/C/T8/95	2x14W	595	575	595	575	65	580x580
313635	RCTF3 314 PR/C/T8/95	3x14W	595	575	595	575	65	580x580
313636	RCTF3 414 PR/C/T8/95	4x14W	595	575	595	575	65	580x580
313637	RCTF3 128 PR/C/T8/95	1x28W	200	180	1195	1175	65	1180x185
313638	RCTF3 128 PBR/C/T8/95	1x28W	295	275	1195	1175	65	1180x280
313639	RCTF3 228 PR/C/T8/95	2x28W	295	275	1195	1175	65	1180x280
313640	RCTF3 228 PBR/C/T8/95	2x28W	595	575	1195	1175	65	1180x580
313641	RCTF3 328 PR/C/T8/95	3x28W	595	575	1195	1175	65	1180x580
313642	RCTF3 428 PR/C/T8/95	4x28W	595	575	1195	1175	65	1180x580
313643	RCTF3 154 PR/C/T8/95	1x54W	200	180	1195	1175	65	1180x185
313644	RCTF3 154 PBR/C/T8/95	1x54W	295	275	1195	1175	65	1180x280
313645	RCTF3 254 PR/C/T8/95	2x54W	295	275	1195	1175	65	1180x280
313646	RCTF3 254 PBR/C/T8/95	2x54W	595	575	1195	1175	65	1180x580
313647	RCTF3 354 PR/C/T8/95	3x54W	595	575	1195	1175	65	1180x580
313648	RCTF3 454 PR/C/T8/95	4x54W	595	575	1195	1175	65	1180x580

 ORDERING DATA : RCTF3 114 PR / C / T8 / 95
 A B C

 A = Acrylic (P = Prismatic , M = Milky , O = Embossed ,
 C = Transparent)
 B = Thickness (T8 = 0.8mm.)
 C = Total of Reflectance (95 = TR95%)