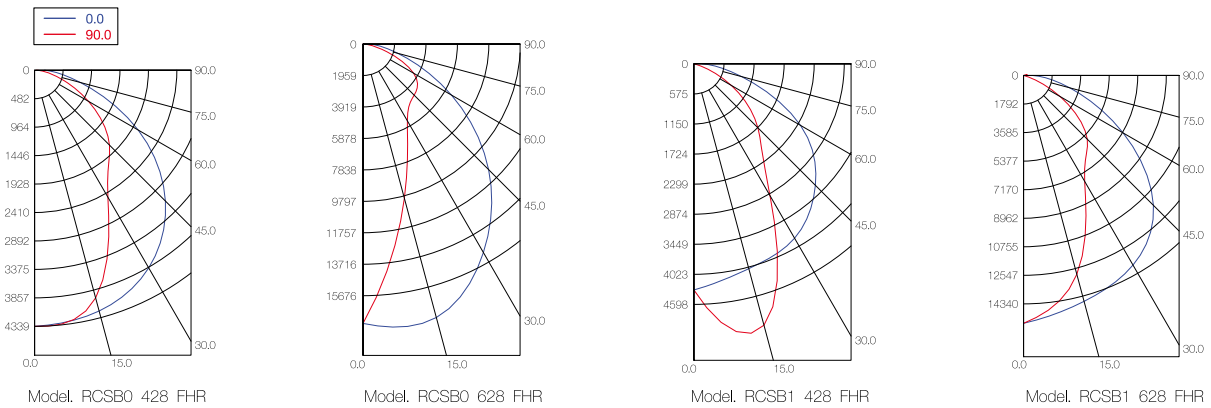
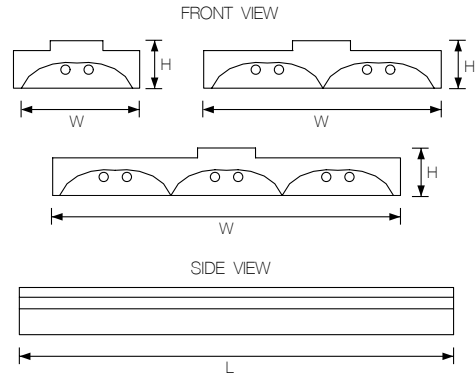


T5 HIGH-BAY LUMINAIRE



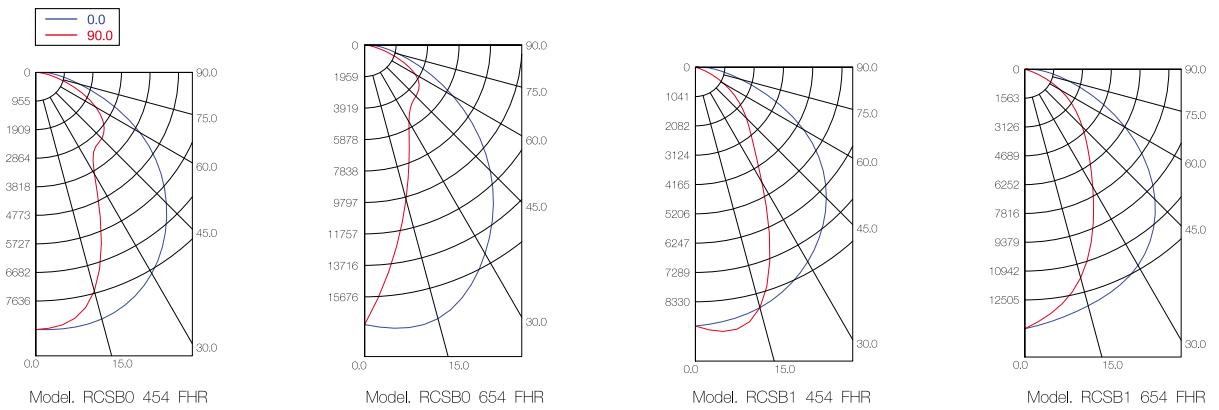
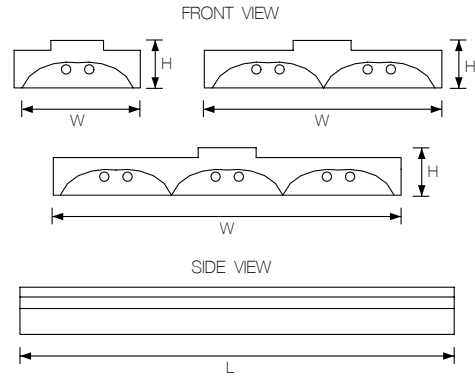
Item	Model	Watt	Dimension (mm.)		
			W	L	H
332009	RCSB0 228 FHR/T6/95	2x28W	210	1200	87
332010	RCSB0 428 FHR/T6/95	4x28W	400	1200	87
332011	RCSB0 628 FHR/T6/95	6x28W	595	1200	87
332012	RCSB0 228 FHR/T8/95	2x28W	210	1200	87
332013	RCSB0 428 FHR/T8/95	4x28W	400	1200	87
332014	RCSB0 628 FHR/T8/95	6x28W	595	1200	87

Item	Model	Watt	Dimension (mm.)		
			W	L	H
332015	RCSB1 228 FHR/T6/95	2x28W	210	1200	107
332016	RCSB1 428 FHR/T6/95	4x28W	400	1200	107
332017	RCSB1 628 FHR/T6/95	6x28W	595	1200	107
332018	RCSB1 228 FHR/T8/95	2x28W	210	1200	107
332019	RCSB1 428 FHR/T8/95	4x28W	400	1200	107
332020	RCSB1 628 FHR/T8/95	6x28W	595	1200	107

ORDERING DATA : RCSB0 228 FHR / T6 / 95
A B

A = Thickness (T6 = 0.6mm., T8 = 0.8mm.)
B = Total of Reflectance (95 = TR95%)

T5 HIGH-BAY LUMINAIRE



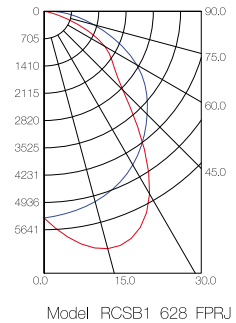
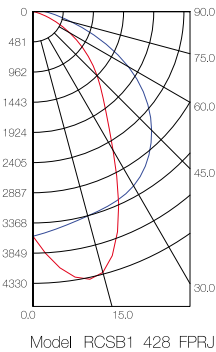
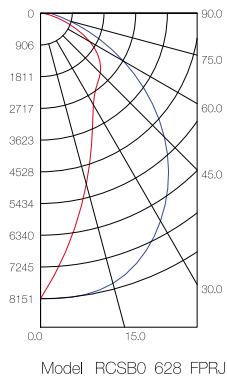
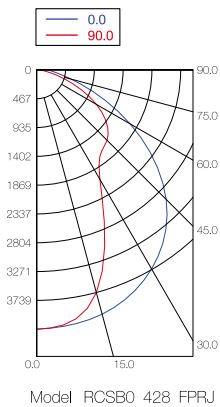
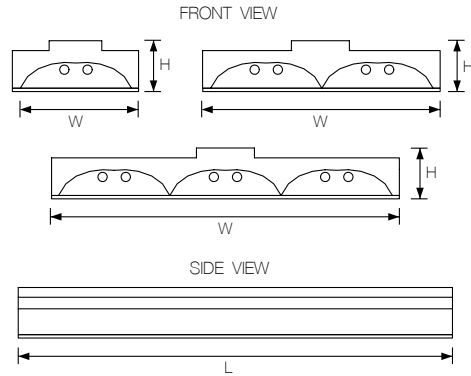
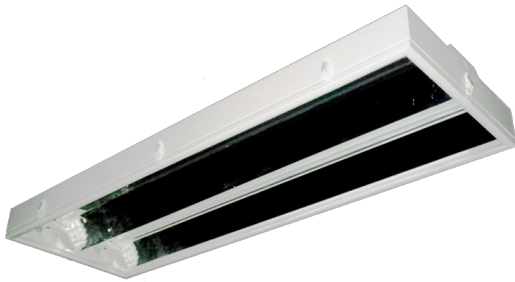
Item	Model	Watt	Dimension (mm.)		
			W	L	H
332021	RCSB0 254 FHR/T6/95	2x54W	210	1200	87
332001	RCSB0 454 FHR/T6/95	4x54W	400	1200	87
332002	RCSB0 654 FHR/T6/95	6x54W	595	1200	87
332022	RCSB0 254 FHR/T8/95	2x54W	210	1200	87
332003	RCSB0 454 FHR/T8/95	4x54W	400	1200	87
332004	RCSB0 654 FHR/T8/95	6x54W	595	1200	87

Item	Model	Watt	Dimension (mm.)		
			W	L	H
332023	RCSB1 254 FHR/T6/95	2x54W	210	1200	107
332024	RCSB1 454 FHR/T6/95	4x54W	400	1200	107
332025	RCSB1 654 FHR/T6/95	6x54W	595	1200	107
332026	RCSB1 254 FHR/T8/95	2x54W	210	1200	107
332027	RCSB1 454 FHR/T8/95	4x54W	400	1200	107
332028	RCSB1 654 FHR/T8/95	6x54W	595	1200	107

ORDERING DATA : RCSB0 254 FHR / T6 / 95
A B

A = Thickness (T6 = 0.6mm., T8 = 0.8mm.)
B = Total of Reflectance (95 = TR95%)

T5 HIGH-BAY LUMINAIRE



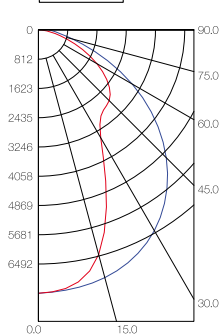
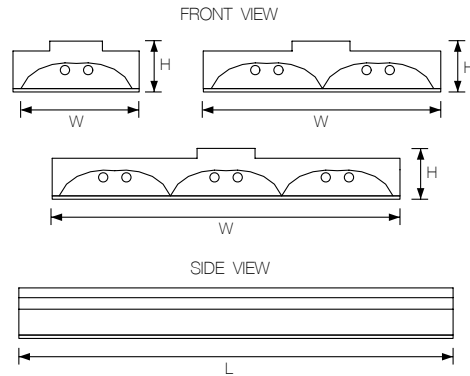
Item	Model	Watt	Dimension (mm.)		
			W	L	H
332029	RCSB0 228 FHRJ/T6/95	2x28W	210	1200	105
332030	RCSB0 428 FHRJ/T6/95	4x28W	400	1200	105
332031	RCSB0 628 FHRJ/T6/95	6x28W	595	1200	105
332032	RCSB0 228 FHRJ/T8/95	2x28W	210	1200	105
332033	RCSB0 428 FHRJ/T8/95	4x28W	400	1200	105
332034	RCSB0 628 FHRJ/T8/95	6x28W	595	1200	105

Item	Model	Watt	Dimension (mm.)		
			W	L	H
332035	RCSB1 228 FHRJ/T6/95	2x28W	210	1200	125
332036	RCSB1 428 FHRJ/T6/95	4x28W	400	1200	125
332037	RCSB1 628 FHRJ/T6/95	6x28W	595	1200	125
332038	RCSB1 228 FHRJ/T8/95	2x28W	210	1200	125
332039	RCSB1 428 FHRJ/T8/95	4x28W	400	1200	125
332040	RCSB1 628 FHRJ/T8/95	6x28W	595	1200	125

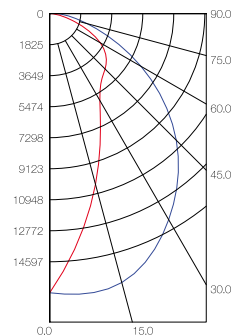
ORDERING DATA : RCBS0 228 FHRJ / T6 / 95
A B

A = Thickness (T6 = 0.6mm., T8 = 0.8mm.)
B = Total of Reflectance (95 = TR95%)

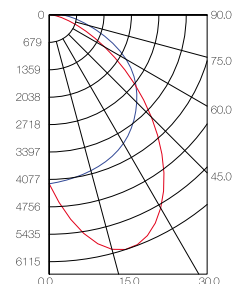
T5 HIGH-BAY LUMINAIRE



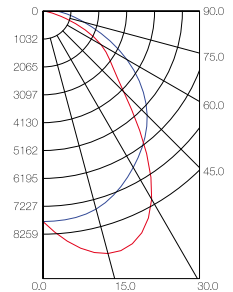
Model. RCSB0 454 FPRJ



Model. RCSB0 654 FPRJ



Model. RCSB1 454 FPRJ



Model. RCSB1 654 FPRJ

Item	Model	Watt	Dimension (mm.)		
			W	L	H
332041	RCSB0 254 FHRJ/T6/95	2x54W	210	1200	105
332005	RCSB0 454 FHRJ/T6/95	4x54W	400	1200	105
332006	RCSB0 654 FHRJ/T6/95	6x54W	595	1200	105
332042	RCSB0 254 FHRJ/T8/95	2x54W	210	1200	105
332007	RCSB0 454 FHRJ/T8/95	4x54W	400	1200	105
332008	RCSB0 654 FHRJ/T8/95	6x54W	595	1200	105

Item	Model	Watt	Dimension (mm.)		
			W	L	H
332043	RCSB1 254 FHRJ/T6/95	2x54W	210	1200	125
332044	RCSB1 454 FHRJ/T6/95	4x54W	400	1200	125
332045	RCSB1 654 FHRJ/T6/95	6x54W	595	1200	125
332046	RCSB1 254 FHRJ/T8/95	2x54W	210	1200	125
332047	RCSB1 454 FHRJ/T8/95	4x54W	400	1200	125
332048	RCSB1 654 FHRJ/T8/95	6x54W	595	1200	125

ORDERING DATA : RCSB0 254 FHRJ / T6 / 95
A B

A = Thickness (T6 = 0.6mm., T8 = 0.8mm.)
B = Total of Reflectance (95 = TR95%)