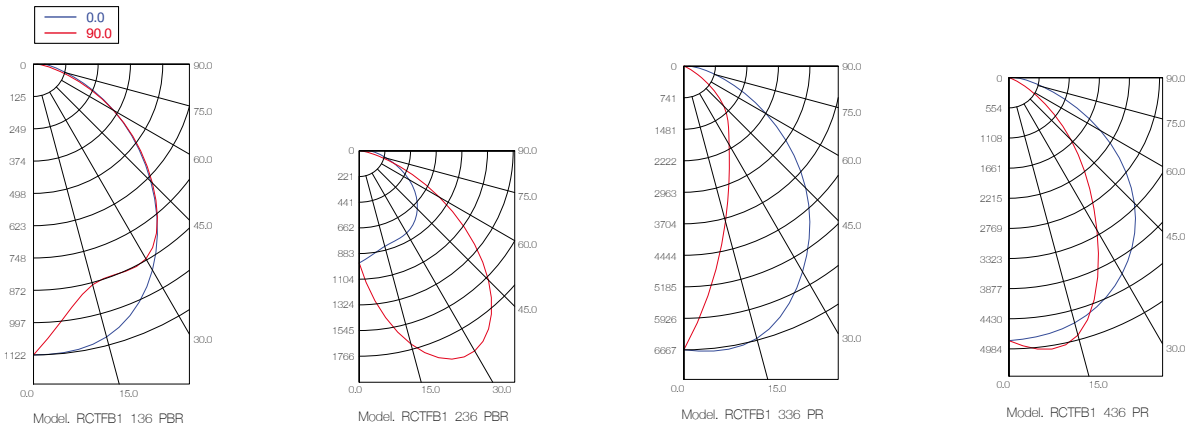
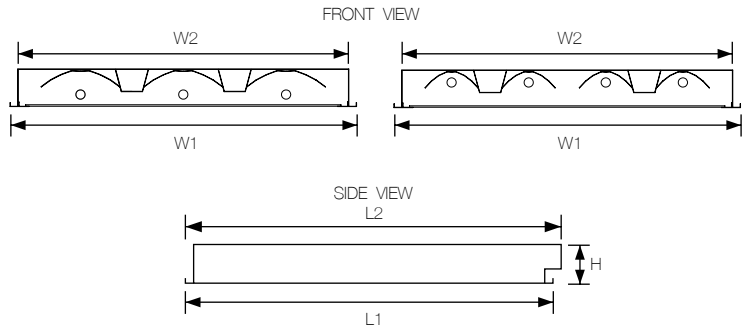


T8 T-BAR & PLASTER CEILING RECESSED MOUNTED ACRYLIC DIFFUSER LUMINAIRE : TR 87%



Item	Model	Watt	Dimension (mm.)					Mounting Area (mm.)
			W1	W2	L1	L2	H	
311061	RCTFB1 118 PR/P/T6/87	1x18W	200	180	595	625	90	580x185
311062	RCTFB1 118 PBR/P/T6/87	1x18W	295	275	595	625	90	580x280
311063	RCTFB1 218 PR/P/T6/87	2x18W	295	275	595	625	90	580x280
311064	RCTFB1 218 PBR/P/T6/87	2x18W	595	575	595	625	90	580x580
311065	RCTFB1 318 PR/P/T6/87	3x18W	595	575	595	625	90	580x580
311066	RCTFB1 418 PR/P/T6/87	4x18W	595	575	595	625	90	580x580
311067	RCTFB1 136 PR/P/T6/87	1x36W	200	180	1195	1235	90	1180x185
311068	RCTFB1 136 PBR/P/T6/87	1x36W	295	275	1195	1235	90	1180x280
311069	RCTFB1 236 PR/P/T6/87	2x36W	295	275	1195	1235	90	1180x280
311070	RCTFB1 236 PBR/P/T6/87	2x36W	595	575	1195	1235	90	1180x580
311071	RCTFB1 336 PR/P/T6/87	3x36W	595	575	1195	1235	90	1180x580
311072	RCTFB1 436 PR/P/T6/87	4x36W	595	575	1195	1235	90	1180x580

ORDERING DATA : RCTFB1 118 PR / P / T6 / 87
A B C

A = Acrylic (P = Prismatic, M = Milky, O = Embossed, C = Transparent)
B = Thickness (T6 = 0.6mm.)
C = Total of Reflectance (87 = TR87%)

T8 T-BAR & PLASTER CEILING RECESSED MOUNTED ACRYLIC DIFFUSER LUMINAIRE : TR 87%

Item	Model	Watt	Dimension (mm.)					Mounting Area (mm.)
			W1	W2	L1	L2	H	
311073	RCTFB1 118 PR/P/T8/87	1x18W	200	180	595	625	90	580x185
311074	RCTFB1 118 PBR/P/T8/87	1x18W	295	275	595	625	90	580x280
311075	RCTFB1 218 PR/P/T8/87	2x18W	295	275	595	625	90	580x280
311076	RCTFB1 218 PBR/P/T8/87	2x18W	595	575	595	625	90	580x580
311077	RCTFB1 318 PR/P/T8/87	3x18W	595	575	595	625	90	580x580
311078	RCTFB1 418 PR/P/T8/87	4x18W	595	575	595	625	90	580x580
311079	RCTFB1 136 PR/P/T8/87	1x36W	200	180	1195	1235	90	1180x185
311080	RCTFB1 136 PBR/P/T8/87	1x36W	295	275	1195	1235	90	1180x280
311081	RCTFB1 236 PR/P/T8/87	2x36W	295	275	1195	1235	90	1180x280
311082	RCTFB1 236 PBR/P/T8/87	2x36W	595	575	1195	1235	90	1180x580
311083	RCTFB1 336 PR/P/T8/87	3x36W	595	575	1195	1235	90	1180x580
311084	RCTFB1 436 PR/P/T8/87	4x36W	595	575	1195	1235	90	1180x580

 ORDERING DATA : RCTFB1 118 PR / P / T8 / 87
 A B C

 A = Acrylic (P = Prismatic , M = Milky , O = Embossed ,
 C = Transparent)
 B = Thickness (T8 = 0.8mm.)
 C = Total of Reflectance (87 = TR87%)

T8 T-BAR & PLASTER CEILING RECESSED MOUNTED ACRYLIC DIFFUSER LUMINAIRE : TR 87%

Item	Model	Watt	Dimension (mm.)					Mounting Area (mm.)
			W1	W2	L1	L2	H	
311205	RCTFB1 118 PR/M/T6/87	1x18W	200	180	595	625	90	580x185
311206	RCTFB1 118 PBR/M/T6/87	1x18W	295	275	595	625	90	580x280
311207	RCTFB1 218 PR/M/T6/87	2x18W	295	275	595	625	90	580x280
311208	RCTFB1 218 PBR/M/T6/87	2x18W	595	575	595	625	90	580x580
311209	RCTFB1 318 PR/M/T6/87	3x18W	595	575	595	625	90	580x580
311210	RCTFB1 418 PR/M/T6/87	4x18W	595	575	595	625	90	580x580
311211	RCTFB1 136 PR/M/T6/87	1x36W	200	180	1195	1235	90	1180x185
311212	RCTFB1 136 PBR/M/T6/87	1x36W	295	275	1195	1235	90	1180x280
311213	RCTFB1 236 PR/M/T6/87	2x36W	295	275	1195	1235	90	1180x280
311214	RCTFB1 236 PBR/M/T6/87	2x36W	595	575	1195	1235	90	1180x580
311215	RCTFB1 336 PR/M/T6/87	3x36W	595	575	1195	1235	90	1180x580
311216	RCTFB1 436 PR/M/T6/87	4x36W	595	575	1195	1235	90	1180x580

Item	Model	Watt	Dimension (mm.)					Mounting Area (mm.)
			W1	W2	L1	L2	H	
311217	RCTFB1 118 PR/M/T8/87	1x18W	200	180	595	625	90	580x185
311218	RCTFB1 118 PBR/M/T8/87	1x18W	295	275	595	625	90	580x280
311219	RCTFB1 218 PR/M/T8/87	2x18W	295	275	595	625	90	580x280
311220	RCTFB1 218 PBR/M/T8/87	2x18W	595	575	595	625	90	580x580
311221	RCTFB1 318 PR/M/T8/87	3x18W	595	575	595	625	90	580x580
311222	RCTFB1 418 PR/M/T8/87	4x18W	595	575	595	625	90	580x580
311223	RCTFB1 136 PR/M/T8/87	1x36W	200	180	1195	1235	90	1180x185
311224	RCTFB1 136 PBR/M/T8/87	1x36W	295	275	1195	1235	90	1180x280
311225	RCTFB1 236 PR/M/T8/87	2x36W	295	275	1195	1235	90	1180x280
311226	RCTFB1 236 PBR/M/T8/87	2x36W	595	575	1195	1235	90	1180x580
311227	RCTFB1 336 PR/M/T8/87	3x36W	595	575	1195	1235	90	1180x580
311228	RCTFB1 436 PR/M/T8/87	4x36W	595	575	1195	1235	90	1180x580

ORDERING DATA : RCTFB1 118 PR / M / T8 / 87
A B C

A = Acrylic (P = Prismatic , M = Milky , O = Embossed ,
C = Transparent)
B = Thickness (T6 = 0.6mm., T8 = 0.8mm.)
C = Total of Reflectance (87 = TR87%)

T8 T-BAR & PLASTER CEILING RECESSED MOUNTED ACRYLIC DIFFUSER LUMINAIRE : TR 87%

Item	Model	Watt	Dimension (mm.)					Mounting Area (mm.)
			W1	W2	L1	L2	H	
311229	RCTFB1 118 PR/O/T6/87	1x18W	200	180	595	625	90	580x185
311230	RCTFB1 118 PBR/O/T6/87	1x18W	295	275	595	625	90	580x280
311231	RCTFB1 218 PR/O/T6/87	2x18W	295	275	595	625	90	580x280
311232	RCTFB1 218 PBR/O/T6/87	2x18W	595	575	595	625	90	580x580
311233	RCTFB1 318 PR/O/T6/87	3x18W	595	575	595	625	90	580x580
311234	RCTFB1 418 PR/O/T6/87	4x18W	595	575	595	625	90	580x580
311235	RCTFB1 136 PR/O/T6/87	1x36W	200	180	1195	1235	90	1180x185
311236	RCTFB1 136 PBR/O/T6/87	1x36W	295	275	1195	1235	90	1180x280
311237	RCTFB1 236 PR/O/T6/87	2x36W	295	275	1195	1235	90	1180x280
311238	RCTFB1 236 PBR/O/T6/87	2x36W	595	575	1195	1235	90	1180x580
311239	RCTFB1 336 PR/O/T6/87	3x36W	595	575	1195	1235	90	1180x580
311240	RCTFB1 436 PR/O/T6/87	4x36W	595	575	1195	1235	90	1180x580

Item	Model	Watt	Dimension (mm.)					Mounting Area (mm.)
			W1	W2	L1	L2	H	
311241	RCTFB1 118 PR/O/T8/87	1x18W	200	180	595	625	90	580x185
311242	RCTFB1 118 PBR/O/T8/87	1x18W	295	275	595	625	90	580x280
311243	RCTFB1 218 PR/O/T8/87	2x18W	295	275	595	625	90	580x280
311244	RCTFB1 218 PBR/O/T8/87	2x18W	595	575	595	625	90	580x580
311245	RCTFB1 318 PR/O/T8/87	3x18W	595	575	595	625	90	580x580
311246	RCTFB1 418 PR/O/T8/87	4x18W	595	575	595	625	90	580x580
311247	RCTFB1 136 PR/O/T8/87	1x36W	200	180	1195	1235	90	1180x185
311248	RCTFB1 136 PBR/O/T8/87	1x36W	295	275	1195	1235	90	1180x280
311249	RCTFB1 236 PR/O/T8/87	2x36W	295	275	1195	1235	90	1180x280
311250	RCTFB1 236 PBR/O/T8/87	2x36W	595	575	1195	1235	90	1180x580
311251	RCTFB1 336 PR/O/T8/87	3x36W	595	575	1195	1235	90	1180x580
311252	RCTFB1 436 PR/O/T8/87	4x36W	595	575	1195	1235	90	1180x580

ORDERING DATA : RCTFB1 118 PR / O / T8 / 87
A B C

A = Acrylic (P = Prismatic , M = Milky , O = Embossed ,
C = Transparent)
B = Thickness (T6 = 0.6mm., T8 = 0.8mm.)
C = Total of Reflectance (87 = TR87%)

T8 T-BAR & PLASTER CEILING RECESSED MOUNTED ACRYLIC DIFFUSER LUMINAIRE : TR 87%

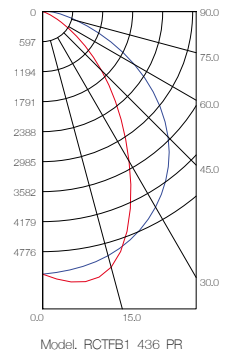
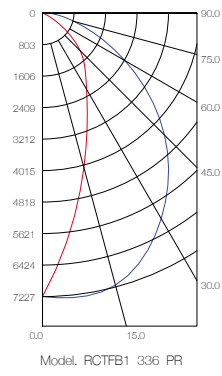
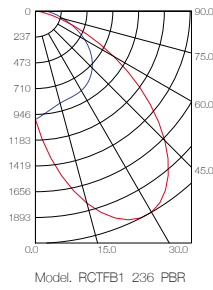
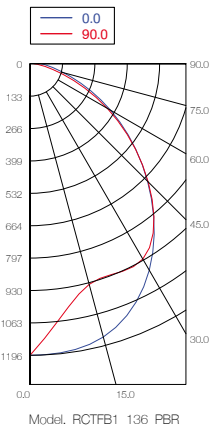
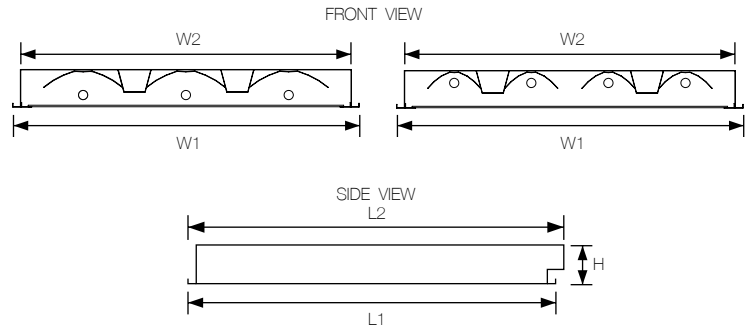
Item	Model	Watt	Dimension (mm.)					Mounting Area (mm.)
			W1	W2	L1	L2	H	
311253	RCTFB1 118 PR/C/T6/87	1x18W	200	180	595	625	90	580x185
311254	RCTFB1 118 PBR/C/T6/87	1x18W	295	275	595	625	90	580x280
311255	RCTFB1 218 PR/C/T6/87	2x18W	295	275	595	625	90	580x280
311256	RCTFB1 218 PBR/C/T6/87	2x18W	595	575	595	625	90	580x580
311257	RCTFB1 318 PR/C/T6/87	3x18W	595	575	595	625	90	580x580
311258	RCTFB1 418 PR/C/T6/87	4x18W	595	575	595	625	90	580x580
311259	RCTFB1 136 PR/C/T6/87	1x36W	200	180	1195	1235	90	1180x185
311260	RCTFB1 136 PBR/C/T6/87	1x36W	295	275	1195	1235	90	1180x280
311261	RCTFB1 236 PR/C/T6/87	2x36W	295	275	1195	1235	90	1180x280
311262	RCTFB1 236 PBR/C/T6/87	2x36W	595	575	1195	1235	90	1180x580
311263	RCTFB1 336 PR/C/T6/87	3x36W	595	575	1195	1235	90	1180x580
311264	RCTFB1 436 PR/C/T6/87	4x36W	595	575	1195	1235	90	1180x580

Item	Model	Watt	Dimension (mm.)					Mounting Area (mm.)
			W1	W2	L1	L2	H	
311265	RCTFB1 118 PR/C/T8/87	1x18W	200	180	595	625	90	580x185
311266	RCTFB1 118 PBR/C/T8/87	1x18W	295	275	595	625	90	580x280
311267	RCTFB1 218 PR/C/T8/87	2x18W	295	275	595	625	90	580x280
311268	RCTFB1 218 PBR/C/T8/87	2x18W	595	575	595	625	90	580x580
311269	RCTFB1 318 PR/C/T8/87	3x18W	595	575	595	625	90	580x580
311270	RCTFB1 418 PR/C/T8/87	4x18W	595	575	595	625	90	580x580
311271	RCTFB1 136 PR/C/T8/87	1x36W	200	180	1195	1235	90	1180x185
311272	RCTFB1 136 PBR/C/T8/87	1x36W	295	275	1195	1235	90	1180x280
311273	RCTFB1 236 PR/C/T8/87	2x36W	295	275	1195	1235	90	1180x280
311274	RCTFB1 236 PBR/C/T8/87	2x36W	595	575	1195	1235	90	1180x580
311275	RCTFB1 336 PR/C/T8/87	3x36W	595	575	1195	1235	90	1180x580
311276	RCTFB1 436 PR/C/T8/87	4x36W	595	575	1195	1235	90	1180x580

ORDERING DATA : RCTFB1 118 PR / C / T8 / 87
A B C

A = Acrylic (P = Prismatic , M = Milky , O = Embossed ,
C = Transparent)
B = Thickness (T6 = 0.6mm., T8 = 0.8mm.)
C = Total of Reflectance (87 = TR87%)

T8 T-BAR & PLASTER CEILING RECESSED MOUNTED ACRYLIC DIFFUSER LUMINAIRE : TR 95%



Item	Model	Watt	Dimension (mm.)					Mounting Area (mm.)
			W1	W2	L1	L2	H	
311085	RCTFB1 118 PR/P/T6/95	1x18W	200	180	595	625	90	580x185
311086	RCTFB1 118 PBR/P/T6/95	1x18W	295	275	595	625	90	580x280
311087	RCTFB1 218 PR/P/T6/95	2x18W	295	275	595	625	90	580x280
311088	RCTFB1 218 PBR/P/T6/95	2x18W	595	575	595	625	90	580x580
311089	RCTFB1 318 PR/P/T6/95	3x18W	595	575	595	625	90	580x580
311090	RCTFB1 418 PR/P/T6/95	4x18W	595	575	595	625	90	580x580
311091	RCTFB1 136 PR/P/T6/95	1x36W	200	180	1195	1235	90	1180x185
311092	RCTFB1 136 PBR/P/T6/95	1x36W	295	275	1195	1235	90	1180x280
311093	RCTFB1 236 PR/P/T6/95	2x36W	295	275	1195	1235	90	1180x280
311094	RCTFB1 236 PBR/P/T6/95	2x36W	595	575	1195	1235	90	1180x580
311095	RCTFB1 336 PR/P/T6/95	3x36W	595	575	1195	1235	90	1180x580
311096	RCTFB1 436 PR/P/T6/95	4x36W	595	575	1195	1235	90	1180x580

ORDERING DATA : RCTFB1 118 PR / P / T6 / 95
A B C

A = Acrylic (P = Prismatic, M = Milky, O = Embossed, C = Transparent)
B = Thickness (T6 = 0.6mm.)
C = Total of Reflectance (95 = TR95%)

T8 T-BAR & PLASTER CEILING RECESSED MOUNTED ACRYLIC DIFFUSER LUMINAIRE : TR 95%

Item	Model	Watt	Dimension (mm.)					Mounting Area (mm.)
			W1	W2	L1	L2	H	
311097	RCTFB1 118 PR/P/T8/95	1x18W	200	180	595	625	90	580x185
311098	RCTFB1 118 PBR/P/T8/95	1x18W	295	275	595	625	90	580x280
311099	RCTFB1 218 PR/P/T8/95	2x18W	295	275	595	625	90	580x280
311100	RCTFB1 218 PBR/P/T8/95	2x18W	595	575	595	625	90	580x580
311101	RCTFB1 318 PR/P/T8/95	3x18W	595	575	595	625	90	580x580
311102	RCTFB1 418 PR/P/T8/95	4x18W	595	575	595	625	90	580x580
311103	RCTFB1 136 PR/P/T8/95	1x36W	200	180	1195	1235	90	1180x185
311104	RCTFB1 136 PBR/P/T8/95	1x36W	295	275	1195	1235	90	1180x280
311105	RCTFB1 236 PR/P/T8/95	2x36W	295	275	1195	1235	90	1180x280
311106	RCTFB1 236 PBR/P/T8/95	2x36W	595	575	1195	1235	90	1180x580
311107	RCTFB1 336 PR/P/T8/95	3x36W	595	575	1195	1235	90	1180x580
311108	RCTFB1 436 PR/P/T8/95	4x36W	595	575	1195	1235	90	1180x580

ORDERING DATA : RCTFB1 118 PR / P / T8 / 95
A B C

A = Acrylic (P = Prismatic , M = Milky , O = Embossed ,
C = Transparent)
B = Thickness (T8 = 0.8mm.)
C = Total of Reflectance (95 = TR95%)

T8 T-BAR & PLASTER CEILING RECESSED MOUNTED ACRYLIC DIFFUSER LUMINAIRE : TR 95%

Item	Model	Watt	Dimension (mm.)					Mounting Area (mm.)
			W1	W2	L1	L2	H	
311469	RCTFB1 118 PR/M/T6/95	1x18W	200	180	595	625	90	580x185
311470	RCTFB1 118 PBR/M/T6/95	1x18W	295	275	595	625	90	580x280
311471	RCTFB1 218 PR/M/T6/95	2x18W	295	275	595	625	90	580x280
311472	RCTFB1 218 PBR/M/T6/95	2x18W	595	575	595	625	90	580x580
311473	RCTFB1 318 PR/M/T6/95	3x18W	595	575	595	625	90	580x580
311474	RCTFB1 418 PR/M/T6/95	4x18W	595	575	595	625	90	580x580
311475	RCTFB1 136 PR/M/T6/95	1x36W	200	180	1195	1235	90	1180x185
311476	RCTFB1 136 PBR/M/T6/95	1x36W	295	275	1195	1235	90	1180x280
311477	RCTFB1 236 PR/M/T6/95	2x36W	295	275	1195	1235	90	1180x280
311478	RCTFB1 236 PBR/M/T6/95	2x36W	595	575	1195	1235	90	1180x580
311479	RCTFB1 336 PR/M/T6/95	3x36W	595	575	1195	1235	90	1180x580
311480	RCTFB1 436 PR/M/T6/95	4x36W	595	575	1195	1235	90	1180x580

Item	Model	Watt	Dimension (mm.)					Mounting Area (mm.)
			W1	W2	L1	L2	H	
311481	RCTFB1 118 PR/M/T8/95	1x18W	200	180	595	625	90	580x185
311482	RCTFB1 118 PBR/M/T8/95	1x18W	295	275	595	625	90	580x280
311483	RCTFB1 218 PR/M/T8/95	2x18W	295	275	595	625	90	580x280
311484	RCTFB1 218 PBR/M/T8/95	2x18W	595	575	595	625	90	580x580
311485	RCTFB1 318 PR/M/T8/95	3x18W	595	575	595	625	90	580x580
311486	RCTFB1 418 PR/M/T8/95	4x18W	595	575	595	625	90	580x580
311487	RCTFB1 136 PR/M/T8/95	1x36W	200	180	1195	1235	90	1180x185
311488	RCTFB1 136 PBR/M/T8/95	1x36W	295	275	1195	1235	90	1180x280
311489	RCTFB1 236 PR/M/T8/95	2x36W	295	275	1195	1235	90	1180x280
311490	RCTFB1 236 PBR/M/T8/95	2x36W	595	575	1195	1235	90	1180x580
311491	RCTFB1 336 PR/M/T8/95	3x36W	595	575	1195	1235	90	1180x580
311492	RCTFB1 436 PR/M/T8/95	4x36W	595	575	1195	1235	90	1180x580

 ORDERING DATA : RCTFB1 118 PR / M / T8 / 95
 A B C

 A = Acrylic (P = Prismatic , M = Milky , O = Embossed ,
 C = Transparent)

B = Thickness (T6 = 0.6mm., T8 = 0.8mm.)

C = Total of Reflectance (95 = TR95%)

T8 T-BAR & PLASTER CEILING RECESSED MOUNTED ACRYLIC DIFFUSER LUMINAIRE : TR 95%

Item	Model	Watt	Dimension (mm.)					Mounting Area (mm.)
			W1	W2	L1	L2	H	
311277	RCTFB1 118 PR/O/T6/95	1x18W	200	180	595	625	90	580x185
311278	RCTFB1 118 PBR/O/T6/95	1x18W	295	275	595	625	90	580x280
311279	RCTFB1 218 PR/O/T6/95	2x18W	295	275	595	625	90	580x280
311280	RCTFB1 218 PBR/O/T6/95	2x18W	595	575	595	625	90	580x580
311281	RCTFB1 318 PR/O/T6/95	3x18W	595	575	595	625	90	580x580
311282	RCTFB1 418 PR/O/T6/95	4x18W	595	575	595	625	90	580x580
311283	RCTFB1 136 PR/O/T6/95	1x36W	200	180	1195	1235	90	1180x185
311284	RCTFB1 136 PBR/O/T6/95	1x36W	295	275	1195	1235	90	1180x280
311285	RCTFB1 236 PR/O/T6/95	2x36W	295	275	1195	1235	90	1180x280
311286	RCTFB1 236 PBR/O/T6/95	2x36W	595	575	1195	1235	90	1180x580
311287	RCTFB1 336 PR/O/T6/95	3x36W	595	575	1195	1235	90	1180x580
311288	RCTFB1 436 PR/O/T6/95	4x36W	595	575	1195	1235	90	1180x580

Item	Model	Watt	Dimension (mm.)					Mounting Area (mm.)
			W1	W2	L1	L2	H	
311289	RCTFB1 118 PR/O/T8/95	1x18W	200	180	595	625	90	580x185
311290	RCTFB1 118 PBR/O/T8/95	1x18W	295	275	595	625	90	580x280
311291	RCTFB1 218 PR/O/T8/95	2x18W	295	275	595	625	90	580x280
311292	RCTFB1 218 PBR/O/T8/95	2x18W	595	575	595	625	90	580x580
311293	RCTFB1 318 PR/O/T8/95	3x18W	595	575	595	625	90	580x580
311294	RCTFB1 418 PR/O/T8/95	4x18W	595	575	595	625	90	580x580
311295	RCTFB1 136 PR/O/T8/95	1x36W	200	180	1195	1235	90	1180x185
311296	RCTFB1 136 PBR/O/T8/95	1x36W	295	275	1195	1235	90	1180x280
311297	RCTFB1 236 PR/O/T8/95	2x36W	295	275	1195	1235	90	1180x280
311298	RCTFB1 236 PBR/O/T8/95	2x36W	595	575	1195	1235	90	1180x580
311299	RCTFB1 336 PR/O/T8/95	3x36W	595	575	1195	1235	90	1180x580
311300	RCTFB1 436 PR/O/T8/95	4x36W	595	575	1195	1235	90	1180x580

ORDERING DATA : RCTFB1 118 PR / O / T8 / 95
A B C

A = Acrylic (P = Prismatic, M = Milky, O = Embossed, C = Transparent)
B = Thickness (T6 = 0.6mm., T8 = 0.8mm.)
C = Total of Reflectance (95 = TR95%)

T8 T-BAR & PLASTER CEILING RECESSED MOUNTED ACRYLIC DIFFUSER LUMINAIRE : TR 95%

Item	Model	Watt	Dimension (mm.)					Mounting Area (mm.)
			W1	W2	L1	L2	H	
311301	RCTFB1 118 PR/C/T6/95	1x18W	200	180	595	625	90	580x185
311302	RCTFB1 118 PBR/C/T6/95	1x18W	295	275	595	625	90	580x280
311303	RCTFB1 218 PR/C/T6/95	2x18W	295	275	595	625	90	580x280
311304	RCTFB1 218 PBR/C/T6/95	2x18W	595	575	595	625	90	580x580
311305	RCTFB1 318 PR/C/T6/95	3x18W	595	575	595	625	90	580x580
311306	RCTFB1 418 PR/C/T6/95	4x18W	595	575	595	625	90	580x580
311307	RCTFB1 136 PR/C/T6/95	1x36W	200	180	1195	1235	90	1180x185
311308	RCTFB1 136 PBR/C/T6/95	1x36W	295	275	1195	1235	90	1180x280
311309	RCTFB1 236 PR/C/T6/95	2x36W	295	275	1195	1235	90	1180x280
311310	RCTFB1 236 PBR/C/T6/95	2x36W	595	575	1195	1235	90	1180x580
311311	RCTFB1 336 PR/C/T6/95	3x36W	595	575	1195	1235	90	1180x580
311312	RCTFB1 436 PR/C/T6/95	4x36W	595	575	1195	1235	90	1180x580

Item	Model	Watt	Dimension (mm.)					Mounting Area (mm.)
			W1	W2	L1	L2	H	
311313	RCTFB1 118 PR/C/T8/95	1x18W	200	180	595	625	90	580x185
311314	RCTFB1 118 PBR/C/T8/95	1x18W	295	275	595	625	90	580x280
311315	RCTFB1 218 PR/C/T8/95	2x18W	295	275	595	625	90	580x280
311316	RCTFB1 218 PBR/C/T8/95	2x18W	595	575	595	625	90	580x580
311317	RCTFB1 318 PR/C/T8/95	3x18W	595	575	595	625	90	580x580
311318	RCTFB1 418 PR/C/T8/95	4x18W	595	575	595	625	90	580x580
311319	RCTFB1 136 PR/C/T8/95	1x36W	200	180	1195	1235	90	1180x185
311320	RCTFB1 136 PBR/C/T8/95	1x36W	295	275	1195	1235	90	1180x280
311321	RCTFB1 236 PR/C/T8/95	2x36W	295	275	1195	1235	90	1180x280
311322	RCTFB1 236 PBR/C/T8/95	2x36W	595	575	1195	1235	90	1180x580
311323	RCTFB1 336 PR/C/T8/95	3x36W	595	575	1195	1235	90	1180x580
311324	RCTFB1 436 PR/C/T8/95	4x36W	595	575	1195	1235	90	1180x580

 ORDERING DATA : RCTFB1 118 PR / C / T8 / 95
 A B C

 A = Acrylic (P = Prismatic , M = Milky , O = Embossed ,
 C = Transparent)
 B = Thickness (T6 = 0.6mm., T8 = 0.8mm.)
 C = Total of Reflectance (95 = TR95%)