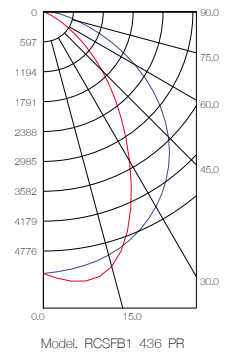
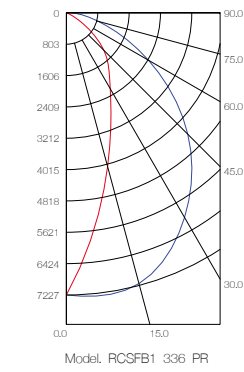
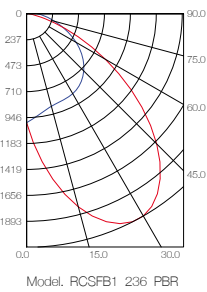
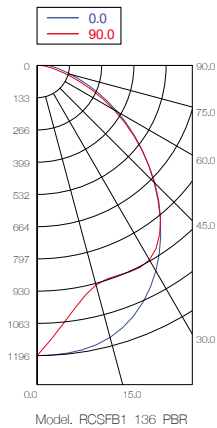
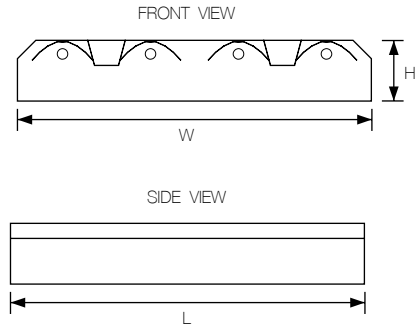


T8 SURFACE MOUNTED ACRYLIC DIFFUSER LUMINAIRE : TR 95%



Item	Model	Watt	Dimension (mm.)		
			W	L	H
312085	RCSFB1 118 PR/P/T6/95	1x18W	200	615	85
312086	RCSFB1 118 PBR/P/T6/95	1x18W	295	615	85
312087	RCSFB1 218 PR/P/T6/95	2x18W	295	615	85
312088	RCSFB1 218 PBR/P/T6/95	2x18W	595	615	85
312089	RCSFB1 318 PR/P/T6/95	3x18W	595	615	85
312090	RCSFB1 418 PR/P/T6/95	4x18W	595	615	85
312091	RCSFB1 136 PR/P/T6/95	1x36W	200	1223	85
312092	RCSFB1 136 PBR/P/T6/95	1x36W	295	1223	85
312093	RCSFB1 236 PR/P/T6/95	2x36W	295	1223	85
312094	RCSFB1 236 PBR/P/T6/95	2x36W	595	1223	85
312095	RCSFB1 336 PR/P/T6/95	3x36W	595	1223	85
312096	RCSFB1 436 PR/P/T6/95	4x36W	595	1223	85

ORDERING DATA : RCSFB1 118 PR / P / T6 / 95
A B C

A = Acrylic (P = Prismatic, M = Milky, O = Embossed, C = Transparent)
B = Thickness (T6 = 0.6mm.)
C = Total of Reflectance (95 = TR95%)

T8 SURFACE MOUNTED ACRYLIC DIFFUSER LUMINAIRE : TR 95%

Item	Model	Watt	Dimension (mm.)		
			W	L	H
312097	RCSFB1 118 PR/P/T8/95	1x18W	200	615	85
312098	RCSFB1 118 PBR/P/T8/95	1x18W	295	615	85
312099	RCSFB1 218 PR/P/T8/95	2x18W	295	615	85
312100	RCSFB1 218 PBR/P/T8/95	2x18W	595	615	85
312101	RCSFB1 318 PR/P/T8/95	3x18W	595	615	85
312102	RCSFB1 418 PR/P/T8/95	4x18W	595	615	85
312103	RCSFB1 136 PR/P/T8/95	1x36W	200	1223	85
312104	RCSFB1 136 PBR/P/T8/95	1x36W	295	1223	85
312105	RCSFB1 236 PR/P/T8/95	2x36W	295	1223	85
312106	RCSFB1 236 PBR/P/T8/95	2x36W	595	1223	85
312107	RCSFB1 336 PR/P/T8/95	3x36W	595	1223	85
312108	RCSFB1 436 PR/P/T8/95	4x36W	595	1223	85

ORDERING DATA : RCSFB1 118 PR / P / T8 / 95
A B C

A = Acrylic (P = Prismatic , M = Milky , O = Embossed ,
C = Transparent)
B = Thickness (T8 = 0.8mm.)
C = Total of Reflectance (95 = TR95%)

T8 SURFACE MOUNTED ACRYLIC DIFFUSER LUMINAIRE : TR 95%

Item	Model	Watt	Dimension (mm.)		
			W	L	H
312181	RCSFB1 118 PR/M/T6/95	1x18W	200	615	85
312182	RCSFB1 118 PBR/M/T6/95	1x18W	295	615	85
312183	RCSFB1 218 PR/M/T6/95	2x18W	295	615	85
312184	RCSFB1 218 PBR/M/T6/95	2x18W	595	615	85
312185	RCSFB1 318 PR/M/T6/95	3x18W	595	615	85
312186	RCSFB1 418 PR/M/T6/95	4x18W	595	615	85
312187	RCSFB1 136 PR/M/T6/95	1x36W	200	1223	85
312188	RCSFB1 136 PBR/M/T6/95	1x36W	295	1223	85
312189	RCSFB1 236 PR/M/T6/95	2x36W	295	1223	85
312190	RCSFB1 236 PBR/M/T6/95	2x36W	595	1223	85
312191	RCSFB1 336 PR/M/T6/95	3x36W	595	1223	85
312192	RCSFB1 436 PR/M/T6/95	4x36W	595	1223	85

Item	Model	Watt	Dimension (mm.)		
			W	L	H
312193	RCSFB1 118 PR/M/T8/95	1x18W	200	615	85
312194	RCSFB1 118 PBR/M/T8/95	1x18W	295	615	85
312195	RCSFB1 218 PR/M/T8/95	2x18W	295	615	85
312196	RCSFB1 218 PBR/M/T8/95	2x18W	595	615	85
312197	RCSFB1 318 PR/M/T8/95	3x18W	595	615	85
312198	RCSFB1 418 PR/M/T8/95	4x18W	595	615	85
312199	RCSFB1 136 PR/M/T8/95	1x36W	200	1223	85
312200	RCSFB1 136 PBR/M/T8/95	1x36W	295	1223	85
312201	RCSFB1 236 PR/M/T8/95	2x36W	295	1223	85
312202	RCSFB1 236 PBR/M/T8/95	2x36W	595	1223	85
312203	RCSFB1 336 PR/M/T8/95	3x36W	595	1223	85
312204	RCSFB1 436 PR/M/T8/95	4x36W	595	1223	85

 ORDERING DATA : RCSFB1 118 PR / M / T8 / 95
 A B C

 A = Acrylic (P = Prismatic , M = Milky , O = Embossed ,
 C = Transparent)
 B = Thickness (T6 = 0.6mm., T8 = 0.8mm.)
 C = Total of Reflectance (95 = TR95%)

T8 SURFACE MOUNTED ACRYLIC DIFFUSER LUMINAIRE : TR 95%

Item	Model	Watt	Dimension (mm.)		
			W	L	H
312205	RCSFB1 118 PR/O/T6/95	1x18W	200	615	85
312206	RCSFB1 118 PBR/O/T6/95	1x18W	295	615	85
312207	RCSFB1 218 PR/O/T6/95	2x18W	295	615	85
312208	RCSFB1 218 PBR/O/T6/95	2x18W	595	615	85
312209	RCSFB1 318 PR/O/T6/95	3x18W	595	615	85
312210	RCSFB1 418 PR/O/T6/95	4x18W	595	615	85
312211	RCSFB1 136 PR/O/T6/95	1x36W	200	1223	85
312212	RCSFB1 136 PBR/O/T6/95	1x36W	295	1223	85
312213	RCSFB1 236 PR/O/T6/95	2x36W	295	1223	85
312214	RCSFB1 236 PBR/O/T6/95	2x36W	595	1223	85
312215	RCSFB1 336 PR/O/T6/95	3x36W	595	1223	85
312216	RCSFB1 436 PR/O/T6/95	4x36W	595	1223	85

Item	Model	Watt	Dimension (mm.)		
			W	L	H
312217	RCSFB1 118 PR/O/T8/95	1x18W	200	615	85
312218	RCSFB1 118 PBR/O/T8/95	1x18W	295	615	85
312219	RCSFB1 218 PR/O/T8/95	2x18W	295	615	85
312220	RCSFB1 218 PBR/O/T8/95	2x18W	595	615	85
312221	RCSFB1 318 PR/O/T8/95	3x18W	595	615	85
312222	RCSFB1 418 PR/O/T8/95	4x18W	595	615	85
312223	RCSFB1 136 PR/O/T8/95	1x36W	200	1223	85
312224	RCSFB1 136 PBR/O/T8/95	1x36W	295	1223	85
312225	RCSFB1 236 PR/O/T8/95	2x36W	295	1223	85
312226	RCSFB1 236 PBR/O/T8/95	2x36W	595	1223	85
312227	RCSFB1 336 PR/O/T8/95	3x36W	595	1223	85
312228	RCSFB1 436 PR/O/T8/95	4x36W	595	1223	85

ORDERING DATA : RCSFB1 118 PR / O / T8 / 95
A B C

A = Acrylic (P = Prismatic , M = Milky , O = Embossed ,
C = Transparent)
B = Thickness (T6 = 0,6mm., T8 = 0,8mm.)
C = Total of Reflectance (95 = TR95%)

T8 SURFACE MOUNTED ACRYLIC DIFFUSER LUMINAIRE : TR 95%

Item	Model	Watt	Dimension (mm.)		
			W	L	H
312229	RCSFB1 118 PR/C/T6/95	1x18W	200	615	85
312230	RCSFB1 118 PBR/C/T6/95	1x18W	295	615	85
312231	RCSFB1 218 PR/C/T6/95	2x18W	295	615	85
312232	RCSFB1 218 PBR/C/T6/95	2x18W	595	615	85
312233	RCSFB1 318 PR/C/T6/95	3x18W	595	615	85
312234	RCSFB1 418 PR/C/T6/95	4x18W	595	615	85
312235	RCSFB1 136 PR/C/T6/95	1x36W	200	1223	85
312236	RCSFB1 136 PBR/C/T6/95	1x36W	295	1223	85
312237	RCSFB1 236 PR/C/T6/95	2x36W	295	1223	85
312238	RCSFB1 236 PBR/C/T6/95	2x36W	595	1223	85
312239	RCSFB1 336 PR/C/T6/95	3x36W	595	1223	85
312240	RCSFB1 436 PR/C/T6/95	4x36W	595	1223	85

Item	Model	Watt	Dimension (mm.)		
			W	L	H
312241	RCSFB1 118 PR/C/T8/95	1x18W	200	615	85
312242	RCSFB1 118 PBR/C/T8/95	1x18W	295	615	85
312243	RCSFB1 218 PR/C/T8/95	2x18W	295	615	85
312244	RCSFB1 218 PBR/C/T8/95	2x18W	595	615	85
312245	RCSFB1 318 PR/C/T8/95	3x18W	595	615	85
312246	RCSFB1 418 PR/C/T8/95	4x18W	595	615	85
312247	RCSFB1 136 PR/C/T8/95	1x36W	200	1223	85
312248	RCSFB1 136 PBR/C/T8/95	1x36W	295	1223	85
312249	RCSFB1 236 PR/C/T8/95	2x36W	295	1223	85
312250	RCSFB1 236 PBR/C/T8/95	2x36W	595	1223	85
312251	RCSFB1 336 PR/C/T8/95	3x36W	595	1223	85
312252	RCSFB1 436 PR/C/T8/95	4x36W	595	1223	85

ORDERING DATA : RCSFB1 118 PR / C / T8 / 95
A B C

A = Acrylic (P = Prismatic , M = Milky , O = Embossed ,
C = Transparent)
B = Thickness (T6 = 0.6mm., T8 = 0.8mm.)
C = Total of Reflectance (95 = TR95%)