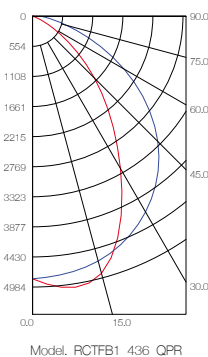
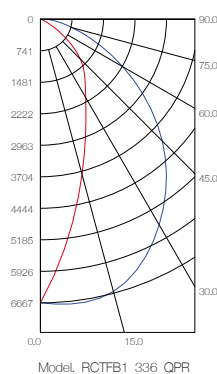
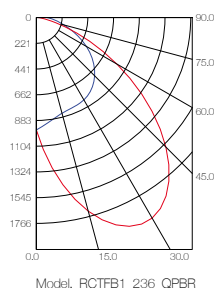
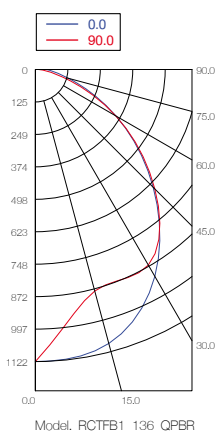
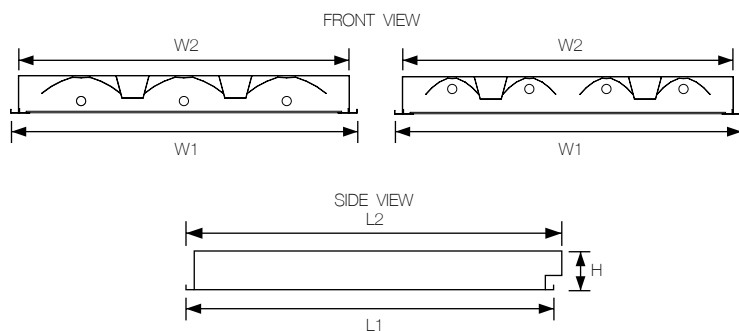


T8 RECESSED CEILING MOUNTED CLEANROOM LUMINAIRE : TR 87%



Item	Model	Watt	Dimension (mm.)					Mounting Area (mm.)
			W1	W2	L1	L2	H	
311157	RCTFB1 118 QPR/P/T6/87	1x18W	200	180	595	636	105	580x185
311158	RCTFB1 118 QPBR/P/T6/87	1x18W	295	275	595	636	105	580x280
311159	RCTFB1 218 QPR/P/T6/87	2x18W	295	275	595	636	105	580x280
311160	RCTFB1 218 QPBR/P/T6/87	2x18W	595	575	595	636	105	580x580
311161	RCTFB1 318 QPR/P/T6/87	3x18W	595	575	595	636	105	580x580
311162	RCTFB1 418 QPR/P/T6/87	4x18W	595	575	595	636	105	580x580
311163	RCTFB1 136 QPR/P/T6/87	1x36W	200	180	1195	1245	105	1180x185
311164	RCTFB1 136 QPBR/P/T6/87	1x36W	295	275	1195	1245	105	1180x280
311165	RCTFB1 236 QPR/P/T6/87	2x36W	295	275	1195	1245	105	1180x280
311166	RCTFB1 236 QPBR/P/T6/87	2x36W	595	575	1195	1245	105	1180x580
311167	RCTFB1 336 QPR/P/T6/87	3x36W	595	575	1195	1245	105	1180x580
311168	RCTFB1 436 QPR/P/T6/87	4x36W	595	575	1195	1245	105	1180x580

ORDERING DATA : RCTFB1 118 QPR / P / T6 / 87
A B C

A = Acrylic (P = Prismatic, M = Milky, O = Embossed, C = Transparent)
B = Thickness (T6 = 0.6mm.)
C = Total of Reflectance (87 = TR87%)

T8 RECESSED CEILING MOUNTED CLEANROOM LUMINAIRE : TR 87%

Item	Model	Watt	Dimension (mm.)					Mounting Area (mm.)
			W1	W2	L1	L2	H	
311169	RCTFB1 118 QPR/P/T8/87	1x18W	200	180	595	636	105	580x185
311170	RCTFB1 118 QPBR/P/T8/87	1x18W	295	275	595	636	105	580x280
311171	RCTFB1 218 QPR/P/T8/87	2x18W	295	275	595	636	105	580x280
311172	RCTFB1 218 QPBR/P/T8/87	2x18W	595	575	595	636	105	580x580
311173	RCTFB1 318 QPR/P/T8/87	3x18W	595	575	595	636	105	580x580
311174	RCTFB1 418 QPR/P/T8/87	4x18W	595	575	595	636	105	580x580
311175	RCTFB1 136 QPR/P/T8/87	1x36W	200	180	1195	1245	105	1180x185
311176	RCTFB1 136 QPBR/P/T8/87	1x36W	295	275	1195	1245	105	1180x280
311177	RCTFB1 236 QPR/P/T8/87	2x36W	295	275	1195	1245	105	1180x280
311178	RCTFB1 236 QPBR/P/T8/87	2x36W	595	575	1195	1245	105	1180x580
311179	RCTFB1 336 QPR/P/T8/87	3x36W	595	575	1195	1245	105	1180x580
311180	RCTFB1 436 QPR/P/T8/87	4x36W	595	575	1195	1245	105	1180x580

ORDERING DATA : RCTFB1 118 QPR / P / T8 / 87
A B C

A = Acrylic (P = Prismatic , M = Milky , O = Embossed ,
C = Transparent)
B = Thickness (T8 = 0.8mm.)
C = Total of Reflectance (87 = TR87%)

T8 RECESSED CEILING MOUNTED CLEANROOM LUMINAIRE : TR 87%

Item	Model	Watt	Dimension (mm.)					Mounting Area (mm.)
			W1	W2	L1	L2	H	
311493	RCTFB1 118 QPR/M/T6/87	1x18W	200	180	595	636	105	580x185
311494	RCTFB1 118 QPBR/M/T6/87	1x18W	295	275	595	636	105	580x280
311495	RCTFB1 218 QPR/M/T6/87	2x18W	295	275	595	636	105	580x280
311496	RCTFB1 218 QPBR/M/T6/87	2x18W	595	575	595	636	105	580x580
311497	RCTFB1 318 QPR/M/T6/87	3x18W	595	575	595	636	105	580x580
311498	RCTFB1 418 QPR/M/T6/87	4x18W	595	575	595	636	105	580x580
311499	RCTFB1 136 QPR/M/T6/87	1x36W	200	180	1195	1245	105	1180x185
311500	RCTFB1 136 QPBR/M/T6/87	1x36W	295	275	1195	1245	105	1180x280
311501	RCTFB1 236 QPR/M/T6/87	2x36W	295	275	1195	1245	105	1180x280
311502	RCTFB1 236 QPBR/M/T6/87	2x36W	595	575	1195	1245	105	1180x580
311503	RCTFB1 336 QPR/M/T6/87	3x36W	595	575	1195	1245	105	1180x580
311504	RCTFB1 436 QPR/M/T6/87	4x36W	595	575	1195	1245	105	1180x580

Item	Model	Watt	Dimension (mm.)					Mounting Area (mm.)
			W1	W2	L1	L2	H	
311505	RCTFB1 118 QPR/M/T8/87	1x18W	200	180	595	636	105	580x185
311506	RCTFB1 118 QPBR/M/T8/87	1x18W	295	275	595	636	105	580x280
311507	RCTFB1 218 QPR/M/T8/87	2x18W	295	275	595	636	105	580x280
311508	RCTFB1 218 QPBR/M/T8/87	2x18W	595	575	595	636	105	580x580
311509	RCTFB1 318 QPR/M/T8/87	3x18W	595	575	595	636	105	580x580
311510	RCTFB1 418 QPR/M/T8/87	4x18W	595	575	595	636	105	580x580
311511	RCTFB1 136 QPR/M/T8/87	1x36W	200	180	1195	1245	105	1180x185
311512	RCTFB1 136 QPBR/M/T8/87	1x36W	295	275	1195	1245	105	1180x280
311513	RCTFB1 236 QPR/M/T8/87	2x36W	295	275	1195	1245	105	1180x280
311514	RCTFB1 236 QPBR/M/T8/87	2x36W	595	575	1195	1245	105	1180x580
311515	RCTFB1 336 QPR/M/T8/87	3x36W	595	575	1195	1245	105	1180x580
311516	RCTFB1 436 QPR/M/T8/87	4x36W	595	575	1195	1245	105	1180x580

 ORDERING DATA : RCTFB1 118 QPR / M / T8 / 87
 A B C

 A = Acrylic (P = Prismatic , M = Milky , O = Embossed ,
 C = Transparent)
 B = Thickness (T6 = 0.6mm., T8 = 0.8mm.)
 C = Total of Reflectance (87 = TR87%)

T8 RECESSED CEILING MOUNTED CLEANROOM LUMINAIRE : TR 87%

Item	Model	Watt	Dimension (mm.)					Mounting Area (mm.)
			W1	W2	L1	L2	H	
311517	RCTFB1 118 QPR/O/T6/87	1x18W	200	180	595	636	105	580x185
311518	RCTFB1 118 QPBR/O/T6/87	1x18W	295	275	595	636	105	580x280
311519	RCTFB1 218 QPR/O/T6/87	2x18W	295	275	595	636	105	580x280
311520	RCTFB1 218 QPBR/O/T6/87	2x18W	595	575	595	636	105	580x580
311521	RCTFB1 318 QPR/O/T6/87	3x18W	595	575	595	636	105	580x580
311522	RCTFB1 418 QPR/O/T6/87	4x18W	595	575	595	636	105	580x580
311523	RCTFB1 136 QPR/O/T6/87	1x36W	200	180	1195	1245	105	1180x185
311524	RCTFB1 136 QPBR/O/T6/87	1x36W	295	275	1195	1245	105	1180x280
311525	RCTFB1 236 QPR/O/T6/87	2x36W	295	275	1195	1245	105	1180x280
311526	RCTFB1 236 QPBR/O/T6/87	2x36W	595	575	1195	1245	105	1180x580
311527	RCTFB1 336 QPR/O/T6/87	3x36W	595	575	1195	1245	105	1180x580
311528	RCTFB1 436 QPR/O/T6/87	4x36W	595	575	1195	1245	105	1180x580

Item	Model	Watt	Dimension (mm.)					Mounting Area (mm.)
			W1	W2	L1	L2	H	
311529	RCTFB1 118 QPR/O/T8/87	1x18W	200	180	595	636	105	580x185
311530	RCTFB1 118 QPBR/O/T8/87	1x18W	295	275	595	636	105	580x280
311531	RCTFB1 218 QPR/O/T8/87	2x18W	295	275	595	636	105	580x280
311532	RCTFB1 218 QPBR/O/T8/87	2x18W	595	575	595	636	105	580x580
311533	RCTFB1 318 QPR/O/T8/87	3x18W	595	575	595	636	105	580x580
311534	RCTFB1 418 QPR/O/T8/87	4x18W	595	575	595	636	105	580x580
311535	RCTFB1 136 QPR/O/T8/87	1x36W	200	180	1195	1245	105	1180x185
311536	RCTFB1 136 QPBR/O/T8/87	1x36W	295	275	1195	1245	105	1180x280
311537	RCTFB1 236 QPR/O/T8/87	2x36W	295	275	1195	1245	105	1180x280
311538	RCTFB1 236 QPBR/O/T8/87	2x36W	595	575	1195	1245	105	1180x580
311539	RCTFB1 336 QPR/O/T8/87	3x36W	595	575	1195	1245	105	1180x580
311540	RCTFB1 436 QPR/O/T8/87	4x36W	595	575	1195	1245	105	1180x580

ORDERING DATA : RCTFB1 118 QPR / O / T8 / 87
A B C

A = Acrylic (P = Prismatic , M = Milky , O = Embossed ,
C = Transparent)

B = Thickness (T6 = 0.6mm., T8 = 0.8mm.)

C = Total of Reflectance (87 = TR87%)

T8 RECESSED CEILING MOUNTED CLEANROOM LUMINAIRE : TR 87%

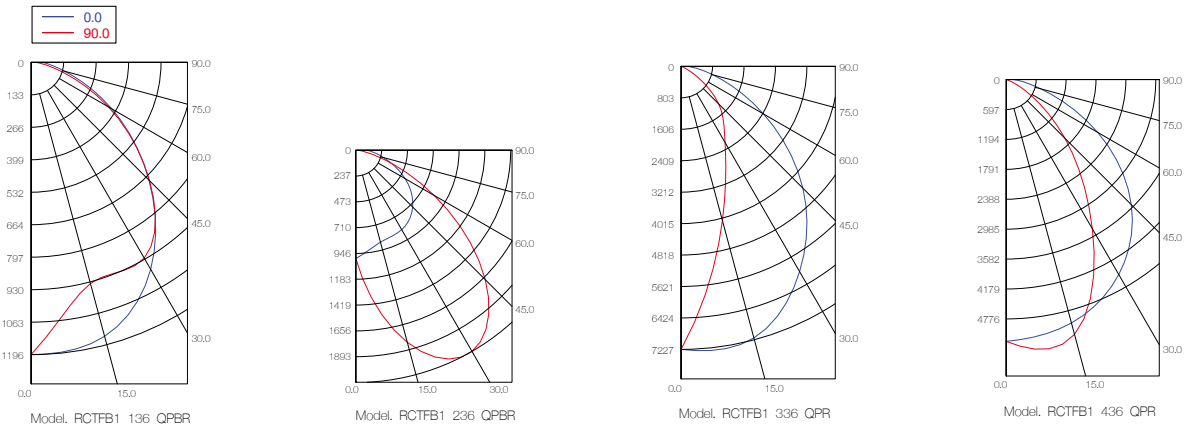
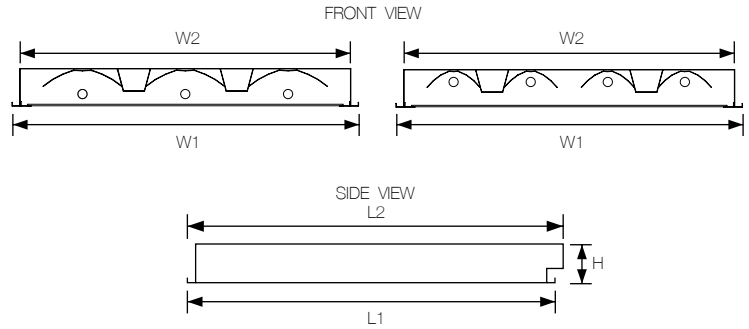
Item	Model	Watt	Dimension (mm.)					Mounting Area (mm.)
			W1	W2	L1	L2	H	
311541	RCTFB1 118 QPR/C/T6/87	1x18W	200	180	595	636	105	580x185
311542	RCTFB1 118 QPBR/C/T6/87	1x18W	295	275	595	636	105	580x280
311543	RCTFB1 218 QPR/C/T6/87	2x18W	295	275	595	636	105	580x280
311544	RCTFB1 218 QPBR/C/T6/87	2x18W	595	575	595	636	105	580x580
311545	RCTFB1 318 QPR/C/T6/87	3x18W	595	575	595	636	105	580x580
311546	RCTFB1 418 QPR/C/T6/87	4x18W	595	575	595	636	105	580x580
311547	RCTFB1 136 QPR/C/T6/87	1x36W	200	180	1195	1245	105	1180x185
311548	RCTFB1 136 QPBR/C/T6/87	1x36W	295	275	1195	1245	105	1180x280
311549	RCTFB1 236 QPR/C/T6/87	2x36W	295	275	1195	1245	105	1180x280
311550	RCTFB1 236 QPBR/C/T6/87	2x36W	595	575	1195	1245	105	1180x580
311551	RCTFB1 336 QPR/C/T6/87	3x36W	595	575	1195	1245	105	1180x580
311552	RCTFB1 436 QPR/C/T6/87	4x36W	595	575	1195	1245	105	1180x580

Item	Model	Watt	Dimension (mm.)					Mounting Area (mm.)
			W1	W2	L1	L2	H	
311553	RCTFB1 118 QPR/C/T8/87	1x18W	200	180	595	636	105	580x185
311554	RCTFB1 118 QPBR/C/T8/87	1x18W	295	275	595	636	105	580x280
311555	RCTFB1 218 QPR/C/T8/87	2x18W	295	275	595	636	105	580x280
311556	RCTFB1 218 QPBR/C/T8/87	2x18W	595	575	595	636	105	580x580
311557	RCTFB1 318 QPR/C/T8/87	3x18W	595	575	595	636	105	580x580
311558	RCTFB1 418 QPR/C/T8/87	4x18W	595	575	595	636	105	580x580
311559	RCTFB1 136 QPR/C/T8/87	1x36W	200	180	1195	1245	105	1180x185
311560	RCTFB1 136 QPBR/C/T8/87	1x36W	295	275	1195	1245	105	1180x280
311561	RCTFB1 236 QPR/C/T8/87	2x36W	295	275	1195	1245	105	1180x280
311562	RCTFB1 236 QPBR/C/T8/87	2x36W	595	575	1195	1245	105	1180x580
311563	RCTFB1 336 QPR/C/T8/87	3x36W	595	575	1195	1245	105	1180x580
311564	RCTFB1 436 QPR/C/T8/87	4x36W	595	575	1195	1245	105	1180x580

 ORDERING DATA : RCTFB1 118 QPR / C / T8 / 87
 A B C

 A = Acrylic (P = Prismatic , M = Milky , O = Embossed ,
 C = Transparent)
 B = Thickness (T6 = 0.6mm. , T8 = 0.8mm.)
 C = Total of Reflectance (87 = TR87%)

T8 RECESSED CEILING MOUNTED CLEANROOM LUMINAIRE : TR 95%



Item	Model	Watt	Dimension (mm.)					Mounting Area (mm.)
			W1	W2	L1	L2	H	
311181	RCTFB1 118 QPR/P/T6/95	1x18W	200	180	595	636	105	580x185
311182	RCTFB1 118 QPBR/P/T6/95	1x18W	295	275	595	636	105	580x280
311183	RCTFB1 218 QPR/P/T6/95	2x18W	295	275	595	636	105	580x280
311184	RCTFB1 218 QPBR/P/T6/95	2x18W	595	575	595	636	105	580x580
311185	RCTFB1 318 QPR/P/T6/95	3x18W	595	575	595	636	105	580x580
311186	RCTFB1 418 QPR/P/T6/95	4x18W	595	575	595	636	105	580x580
311187	RCTFB1 136 QPR/P/T6/95	1x36W	200	180	1195	1245	105	1180x185
311188	RCTFB1 136 QPBR/P/T6/95	1x36W	295	275	1195	1245	105	1180x280
311189	RCTFB1 236 QPR/P/T6/95	2x36W	295	275	1195	1245	105	1180x280
311190	RCTFB1 236 QPBR/P/T6/95	2x36W	595	575	1195	1245	105	1180x580
311191	RCTFB1 336 QPR/P/T6/95	3x36W	595	575	1195	1245	105	1180x580
311192	RCTFB1 436 QPR/P/T6/95	4x36W	595	575	1195	1245	105	1180x580

ORDERING DATA : RCTFB1 118 QPR / P / T6 / 95
A B C

A = Acrylic (P = Prismatic, M = Milky, O = Embossed, C = Transparent)
B = Thickness (T6 = 0.6mm.)
C = Total of Reflectance (95 = TR95%)

T8 RECESSED CEILING MOUNTED CLEANROOM LUMINAIRE : TR 95%

Item	Model	Watt	Dimension (mm.)					Mounting Area (mm.)
			W1	W2	L1	L2	H	
311193	RCTFB1 118 QPR/P/T8/95	1x18W	200	180	595	636	105	580x185
311194	RCTFB1 118 QPBR/P/T8/95	1x18W	295	275	595	636	105	580x280
311195	RCTFB1 218 QPR/P/T8/95	2x18W	295	275	595	636	105	580x280
311196	RCTFB1 218 QPBR/P/T8/95	2x18W	595	575	595	636	105	580x580
311197	RCTFB1 318 QPR/P/T8/95	3x18W	595	575	595	636	105	580x580
311198	RCTFB1 418 QPR/P/T8/95	4x18W	595	575	595	636	105	580x580
311199	RCTFB1 136 QPR/P/T8/95	1x36W	200	180	1195	1245	105	1180x185
311200	RCTFB1 136 QPBR/P/T8/95	1x36W	295	275	1195	1245	105	1180x280
311201	RCTFB1 236 QPR/P/T8/95	2x36W	295	275	1195	1245	105	1180x280
311202	RCTFB1 236 QPBR/P/T8/95	2x36W	595	575	1195	1245	105	1180x580
311203	RCTFB1 336 QPR/P/T8/95	3x36W	595	575	1195	1245	105	1180x580
311204	RCTFB1 436 QPR/P/T8/95	4x36W	595	575	1195	1245	105	1180x580

 ORDERING DATA : RCTFB1 118 QPR / P / T8 / 95
 A B C

 A = Acrylic (P = Prismatic , M = Milky , O = Embossed ,
 C = Transparent)
 B = Thickness (T8 = 0.8mm.)
 C = Total of Reflectance (95 = TR95%)

T8 RECESSED CEILING MOUNTED CLEANROOM LUMINAIRE : TR 95%

Item	Model	Watt	Dimension (mm.)					Mounting Area (mm.)
			W1	W2	L1	L2	H	
311565	RCTFB1 118 QPR/M/T6/95	1x18W	200	180	595	636	105	580x185
311566	RCTFB1 118 QPBR/M/T6/95	1x18W	295	275	595	636	105	580x280
311567	RCTFB1 218 QPR/M/T6/95	2x18W	295	275	595	636	105	580x280
311568	RCTFB1 218 QPBR/M/T6/95	2x18W	595	575	595	636	105	580x580
311569	RCTFB1 318 QPR/M/T6/95	3x18W	595	575	595	636	105	580x580
311570	RCTFB1 418 QPR/M/T6/95	4x18W	595	575	595	636	105	580x580
311571	RCTFB1 136 QPR/M/T6/95	1x36W	200	180	1195	1245	105	1180x185
311572	RCTFB1 136 QPBR/M/T6/95	1x36W	295	275	1195	1245	105	1180x280
311573	RCTFB1 236 QPR/M/T6/95	2x36W	295	275	1195	1245	105	1180x280
311574	RCTFB1 236 QPBR/M/T6/95	2x36W	595	575	1195	1245	105	1180x580
311575	RCTFB1 336 QPR/M/T6/95	3x36W	595	575	1195	1245	105	1180x580
311576	RCTFB1 436 QPR/M/T6/95	4x36W	595	575	1195	1245	105	1180x580

Item	Model	Watt	Dimension (mm.)					Mounting Area (mm.)
			W1	W2	L1	L2	H	
311577	RCTFB1 118 QPR/M/T8/95	1x18W	200	180	595	636	105	580x185
311578	RCTFB1 118 QPBR/M/T8/95	1x18W	295	275	595	636	105	580x280
311579	RCTFB1 218 QPR/M/T8/95	2x18W	295	275	595	636	105	580x280
311580	RCTFB1 218 QPBR/M/T8/95	2x18W	595	575	595	636	105	580x580
311581	RCTFB1 318 QPR/M/T8/95	3x18W	595	575	595	636	105	580x580
311582	RCTFB1 418 QPR/M/T8/95	4x18W	595	575	595	636	105	580x580
311583	RCTFB1 136 QPR/M/T8/95	1x36W	200	180	1195	1245	105	1180x185
311584	RCTFB1 136 QPBR/M/T8/95	1x36W	295	275	1195	1245	105	1180x280
311585	RCTFB1 236 QPR/M/T8/95	2x36W	295	275	1195	1245	105	1180x280
311586	RCTFB1 236 QPBR/M/T8/95	2x36W	595	575	1195	1245	105	1180x580
311587	RCTFB1 336 QPR/M/T8/95	3x36W	595	575	1195	1245	105	1180x580
311588	RCTFB1 436 QPR/M/T8/95	4x36W	595	575	1195	1245	105	1180x580

ORDERING DATA : RCTFB1 118 QPR / M / T8 / 95
A B C

A = Acrylic (P = Prismatic , M = Milky , O = Embossed ,
C = Transparent)

B = Thickness (T6 = 0.6mm., T8 = 0.8mm.)

C = Total of Reflectance (95 = TR95%)

T8 RECESSED CEILING MOUNTED CLEANROOM LUMINAIRE : TR 95%

Item	Model	Watt	Dimension (mm.)					Mounting Area (mm.)
			W1	W2	L1	L2	H	
311589	RCTFB1 118 QPR/O/T6/95	1x18W	200	180	595	636	105	580x185
311590	RCTFB1 118 QPBR/O/T6/95	1x18W	295	275	595	636	105	580x280
311591	RCTFB1 218 QPR/O/T6/95	2x18W	295	275	595	636	105	580x280
311592	RCTFB1 218 QPBR/O/T6/95	2x18W	595	575	595	636	105	580x580
311593	RCTFB1 318 QPR/O/T6/95	3x18W	595	575	595	636	105	580x580
311594	RCTFB1 418 QPR/O/T6/95	4x18W	595	575	595	636	105	580x580
311595	RCTFB1 136 QPR/O/T6/95	1x36W	200	180	1195	1245	105	1180x185
311596	RCTFB1 136 QPBR/O/T6/95	1x36W	295	275	1195	1245	105	1180x280
311597	RCTFB1 236 QPR/O/T6/95	2x36W	295	275	1195	1245	105	1180x280
311598	RCTFB1 236 QPBR/O/T6/95	2x36W	595	575	1195	1245	105	1180x580
311599	RCTFB1 336 QPR/O/T6/95	3x36W	595	575	1195	1245	105	1180x580
311600	RCTFB1 436 QPR/O/T6/95	4x36W	595	575	1195	1245	105	1180x580

Item	Model	Watt	Dimension (mm.)					Mounting Area (mm.)
			W1	W2	L1	L2	H	
311601	RCTFB1 118 QPR/O/T8/95	1x18W	200	180	595	636	105	580x185
311602	RCTFB1 118 QPBR/O/T8/95	1x18W	295	275	595	636	105	580x280
311603	RCTFB1 218 QPR/O/T8/95	2x18W	295	275	595	636	105	580x280
311604	RCTFB1 218 QPBR/O/T8/95	2x18W	595	575	595	636	105	580x580
311605	RCTFB1 318 QPR/O/T8/95	3x18W	595	575	595	636	105	580x580
311606	RCTFB1 418 QPR/O/T8/95	4x18W	595	575	595	636	105	580x580
311607	RCTFB1 136 QPR/O/T8/95	1x36W	200	180	1195	1245	105	1180x185
311608	RCTFB1 136 QPBR/O/T8/95	1x36W	295	275	1195	1245	105	1180x280
311609	RCTFB1 236 QPR/O/T8/95	2x36W	295	275	1195	1245	105	1180x280
311610	RCTFB1 236 QPBR/O/T8/95	2x36W	595	575	1195	1245	105	1180x580
311611	RCTFB1 336 QPR/O/T8/95	3x36W	595	575	1195	1245	105	1180x580
311612	RCTFB1 436 QPR/O/T8/95	4x36W	595	575	1195	1245	105	1180x580

ORDERING DATA : RCTFB1 118 QPR / O / T8 / 95
A B C

A = Acrylic (P = Prismatic , M = Milky , O = Embossed ,
C = Transparent)
B = Thickness (T6 = 0.6mm., T8 = 0.8mm.)
C = Total of Reflectance (95 = TR95%)

T8 RECESSED CEILING MOUNTED CLEANROOM LUMINAIRE : TR 95%

Item	Model	Watt	Dimension (mm.)					Mounting Area (mm.)
			W1	W2	L1	L2	H	
311613	RCTFB1 118 QPR/C/T6/95	1x18W	200	180	595	636	105	580x185
311614	RCTFB1 118 QPBR/C/T6/95	1x18W	295	275	595	636	105	580x280
311615	RCTFB1 218 QPR/C/T6/95	2x18W	295	275	595	636	105	580x280
311616	RCTFB1 218 QPBR/C/T6/95	2x18W	595	575	595	636	105	580x580
311617	RCTFB1 318 QPR/C/T6/95	3x18W	595	575	595	636	105	580x580
311618	RCTFB1 418 QPR/C/T6/95	4x18W	595	575	595	636	105	580x580
311619	RCTFB1 136 QPR/C/T6/95	1x36W	200	180	1195	1245	105	1180x185
311620	RCTFB1 136 QPBR/C/T6/95	1x36W	295	275	1195	1245	105	1180x280
311621	RCTFB1 236 QPR/C/T6/95	2x36W	295	275	1195	1245	105	1180x280
311622	RCTFB1 236 QPBR/C/T6/95	2x36W	595	575	1195	1245	105	1180x580
311623	RCTFB1 336 QPR/C/T6/95	3x36W	595	575	1195	1245	105	1180x580
311624	RCTFB1 436 QPR/C/T6/95	4x36W	595	575	1195	1245	105	1180x580

Item	Model	Watt	Dimension (mm.)					Mounting Area (mm.)
			W1	W2	L1	L2	H	
311625	RCTFB1 118 QPR/C/T8/95	1x18W	200	180	595	636	105	580x185
311626	RCTFB1 118 QPBR/C/T8/95	1x18W	295	275	595	636	105	580x280
311627	RCTFB1 218 QPR/C/T8/95	2x18W	295	275	595	636	105	580x280
311628	RCTFB1 218 QPBR/C/T8/95	2x18W	595	575	595	636	105	580x580
311629	RCTFB1 318 QPR/C/T8/95	3x18W	595	575	595	636	105	580x580
311630	RCTFB1 418 QPR/C/T8/95	4x18W	595	575	595	636	105	580x580
311631	RCTFB1 136 QPR/C/T8/95	1x36W	200	180	1195	1245	105	1180x185
311632	RCTFB1 136 QPBR/C/T8/95	1x36W	295	275	1195	1245	105	1180x280
311633	RCTFB1 236 QPR/C/T8/95	2x36W	295	275	1195	1245	105	1180x280
311634	RCTFB1 236 QPBR/C/T8/95	2x36W	595	575	1195	1245	105	1180x580
311635	RCTFB1 336 QPR/C/T8/95	3x36W	595	575	1195	1245	105	1180x580
311636	RCTFB1 436 QPR/C/T8/95	4x36W	595	575	1195	1245	105	1180x580

ORDERING DATA : RCTFB1 118 QPR / C / T8 / 95
A B C

A = Acrylic (P = Prismatic , M = Milky , O = Embossed ,
C = Transparent)

B = Thickness (T6 = 0.6mm., T8 = 0.8mm.)

C = Total of Reflectance (95 = TR95%)