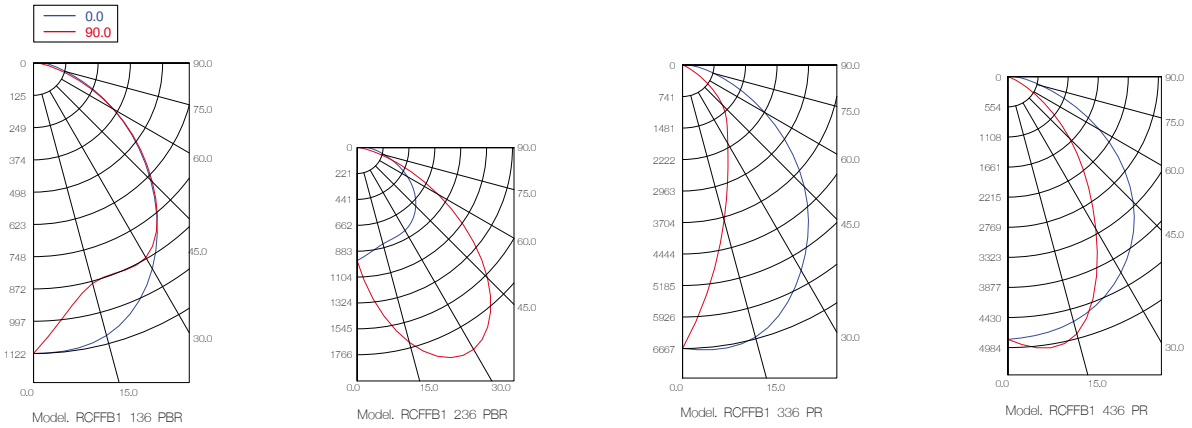
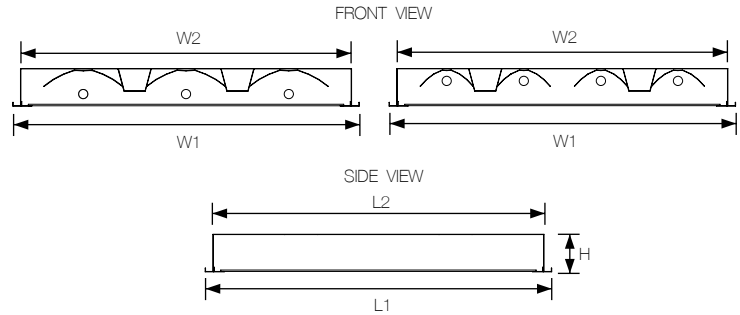


T8 PLASTER CEILING RECESSED MOUNTED ACRYLIC DIFFUSER LUMINAIRE : TR 87%



Item	Model	Watt	Dimension (mm.)					Mounting Area (mm.)
			W1	W2	L1	L2	H	
311109	RCFFB1 118 PR/P/T6/87	1x18W	200	180	635	612	90	580x185
311110	RCFFB1 118 PBR/P/T6/87	1x18W	295	275	635	612	90	580x280
311111	RCFFB1 218 PR/P/T6/87	2x18W	295	275	635	612	90	580x280
311112	RCFFB1 218 PBR/P/T6/87	2x18W	595	575	635	612	90	580x580
311113	RCFFB1 318 PR/P/T6/87	3x18W	595	575	635	612	90	580x580
311114	RCFFB1 418 PR/P/T6/87	4x18W	595	575	635	612	90	580x580
311115	RCFFB1 136 PR/P/T6/87	1x36W	200	180	1245	1222	90	1180x185
311116	RCFFB1 136 PBR/P/T6/87	1x36W	295	275	1245	1222	90	1180x280
311117	RCFFB1 236 PR/P/T6/87	2x36W	295	275	1245	1222	90	1180x280
311118	RCFFB1 236 PBR/P/T6/87	2x36W	595	575	1245	1222	90	1180x580
311119	RCFFB1 336 PR/P/T6/87	3x36W	595	575	1245	1222	90	1180x580
311120	RCFFB1 436 PR/P/T6/87	4x36W	595	575	1245	1222	90	1180x580

ORDERING DATA : RCFFB1 118 PR / P / T6 / 87
A B C

A = Acrylic (P = Prismatic, M = Milky, O = Embossed, C = Transparent)
B = Thickness (T6 = 0.6mm.)
C = Total of Reflectance (87 = TR87%)

T8 PLASTER CEILING RECESSED MOUNTED ACRYLIC DIFFUSER LUMINAIRE : TR 87%

Item	Model	Watt	Dimension (mm.)					Mounting Area (mm.)
			W1	W2	L1	L2	H	
311121	RCFFB1 118 PR/P/T8/87	1x18W	200	180	635	612	90	580x185
311122	RCFFB1 118 PBR/P/T8/87	1x18W	295	275	635	612	90	580x280
311123	RCFFB1 218 PR/P/T8/87	2x18W	295	275	635	612	90	580x280
311124	RCFFB1 218 PBR/P/T8/87	2x18W	595	575	635	612	90	580x580
311125	RCFFB1 318 PR/P/T8/87	3x18W	595	575	635	612	90	580x580
311126	RCFFB1 418 PR/P/T8/87	4x18W	595	575	635	612	90	580x580
311127	RCFFB1 136 PR/P/T8/87	1x36W	200	180	1245	1222	90	1180x185
311128	RCFFB1 136 PBR/P/T8/87	1x36W	295	275	1245	1222	90	1180x280
311129	RCFFB1 236 PR/P/T8/87	2x36W	295	275	1245	1222	90	1180x280
311130	RCFFB1 236 PBR/P/T8/87	2x36W	595	575	1245	1222	90	1180x580
311131	RCFFB1 336 PR/P/T8/87	3x36W	595	575	1245	1222	90	1180x580
311132	RCFFB1 436 PR/P/T8/87	4x36W	595	575	1245	1222	90	1180x580

 ORDERING DATA : RCFFB1 118 PR / P / T8 / 87
 A B C

 A = Acrylic (P = Prismatic , M = Milky , O = Embossed ,
 C = Transparent)
 B = Thickness (T8 = 0.8mm.)
 C = Total of Reflectance (87 = TR87%)

T8 PLASTER CEILING RECESSED MOUNTED ACRYLIC DIFFUSER LUMINAIRE : TR 87%

Item	Model	Watt	Dimension (mm.)					Mounting Area (mm.)
			W1	W2	L1	L2	H	
311325	RCFFB1 118 PR/M/T6/87	1x18W	200	180	635	612	90	580x185
311326	RCFFB1 118 PBR/M/T6/87	1x18W	295	275	635	612	90	580x280
311327	RCFFB1 218 PR/M/T6/87	2x18W	295	275	635	612	90	580x280
311328	RCFFB1 218 PBR/M/T6/87	2x18W	595	575	635	612	90	580x580
311329	RCFFB1 318 PR/M/T6/87	3x18W	595	575	635	612	90	580x580
311330	RCFFB1 418 PR/M/T6/87	4x18W	595	575	635	612	90	580x580
311331	RCFFB1 136 PR/M/T6/87	1x36W	200	180	1245	1222	90	1180x185
311332	RCFFB1 136 PBR/M/T6/87	1x36W	295	275	1245	1222	90	1180x280
311333	RCFFB1 236 PR/M/T6/87	2x36W	295	275	1245	1222	90	1180x280
311334	RCFFB1 236 PBR/M/T6/87	2x36W	595	575	1245	1222	90	1180x580
311335	RCFFB1 336 PR/M/T6/87	3x36W	595	575	1245	1222	90	1180x580
311336	RCFFB1 436 PR/M/T6/87	4x36W	595	575	1245	1222	90	1180x580

Item	Model	Watt	Dimension (mm.)					Mounting Area (mm.)
			W1	W2	L1	L2	H	
311337	RCFFB1 118 PR/M/T8/87	1x18W	200	180	635	612	90	580x185
311338	RCFFB1 118 PBR/M/T8/87	1x18W	295	275	635	612	90	580x280
311339	RCFFB1 218 PR/M/T8/87	2x18W	295	275	635	612	90	580x280
311340	RCFFB1 218 PBR/M/T8/87	2x18W	595	575	635	612	90	580x580
311341	RCFFB1 318 PR/M/T8/87	3x18W	595	575	635	612	90	580x580
311342	RCFFB1 418 PR/M/T8/87	4x18W	595	575	635	612	90	580x580
311343	RCFFB1 136 PR/M/T8/87	1x36W	200	180	1245	1222	90	1180x185
311344	RCFFB1 136 PBR/M/T8/87	1x36W	295	275	1245	1222	90	1180x280
311345	RCFFB1 236 PR/M/T8/87	2x36W	295	275	1245	1222	90	1180x280
311346	RCFFB1 236 PBR/M/T8/87	2x36W	595	575	1245	1222	90	1180x580
311347	RCFFB1 336 PR/M/T8/87	3x36W	595	575	1245	1222	90	1180x580
311348	RCFFB1 436 PR/M/T8/87	4x36W	595	575	1245	1222	90	1180x580

ORDERING DATA : RCFFB1 118 PR / M / T8 / 87
A B C

A = Acrylic (P = Prismatic , M = Milky , O = Embossed ,
C = Transparent)
B = Thickness (T6 = 0,6mm., T8 = 0,8mm.)
C = Total of Reflectance (87 = TR87%)

T8 PLASTER CEILING RECESSED MOUNTED ACRYLIC DIFFUSER LUMINAIRE : TR 87%

Item	Model	Watt	Dimension (mm.)					Mounting Area (mm.)
			W1	W2	L1	L2	H	
311349	RCFFB1 118 PR/O/T6/87	1x18W	200	180	635	612	90	580x185
311350	RCFFB1 118 PBR/O/T6/87	1x18W	295	275	635	612	90	580x280
311351	RCFFB1 218 PR/O/T6/87	2x18W	295	275	635	612	90	580x280
311352	RCFFB1 218 PBR/O/T6/87	2x18W	595	575	635	612	90	580x580
311353	RCFFB1 318 PR/O/T6/87	3x18W	595	575	635	612	90	580x580
311354	RCFFB1 418 PR/O/T6/87	4x18W	595	575	635	612	90	580x580
311355	RCFFB1 136 PR/O/T6/87	1x36W	200	180	1245	1222	90	1180x185
311356	RCFFB1 136 PBR/O/T6/87	1x36W	295	275	1245	1222	90	1180x280
311357	RCFFB1 236 PR/O/T6/87	2x36W	295	275	1245	1222	90	1180x280
311358	RCFFB1 236 PBR/O/T6/87	2x36W	595	575	1245	1222	90	1180x580
311359	RCFFB1 336 PR/O/T6/87	3x36W	595	575	1245	1222	90	1180x580
311360	RCFFB1 436 PR/O/T6/87	4x36W	595	575	1245	1222	90	1180x580

Item	Model	Watt	Dimension (mm.)					Mounting Area (mm.)
			W1	W2	L1	L2	H	
311361	RCFFB1 118 PR/O/T8/87	1x18W	200	180	635	612	90	580x185
311362	RCFFB1 118 PBR/O/T8/87	1x18W	295	275	635	612	90	580x280
311363	RCFFB1 218 PR/O/T8/87	2x18W	295	275	635	612	90	580x280
311364	RCFFB1 218 PBR/O/T8/87	2x18W	595	575	635	612	90	580x580
311365	RCFFB1 318 PR/O/T8/87	3x18W	595	575	635	612	90	580x580
311366	RCFFB1 418 PR/O/T8/87	4x18W	595	575	635	612	90	580x580
311367	RCFFB1 136 PR/O/T8/87	1x36W	200	180	1245	1222	90	1180x185
311368	RCFFB1 136 PBR/O/T8/87	1x36W	295	275	1245	1222	90	1180x280
311369	RCFFB1 236 PR/O/T8/87	2x36W	295	275	1245	1222	90	1180x280
311370	RCFFB1 236 PBR/O/T8/87	2x36W	595	575	1245	1222	90	1180x580
311371	RCFFB1 336 PR/O/T8/87	3x36W	595	575	1245	1222	90	1180x580
311372	RCFFB1 436 PR/O/T8/87	4x36W	595	575	1245	1222	90	1180x580

ORDERING DATA : RCFFB1 118 PR / O / T8 / 87
A B C

A = Acrylic (P = Prismatic , M = Milky , O = Embossed ,
C = Transparent)
B = Thickness (T6 = 0.6mm., T8 = 0.8mm.)
C = Total of Reflectance (87 = TR87%)

T8 PLASTER CEILING RECESSED MOUNTED ACRYLIC DIFFUSER LUMINAIRE : TR 87%

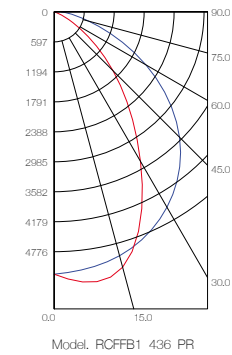
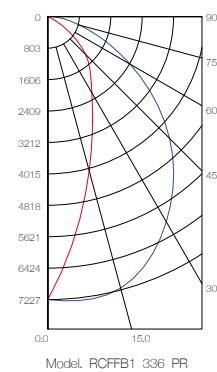
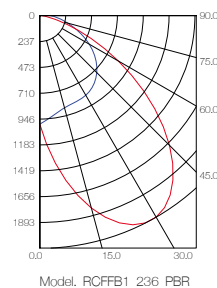
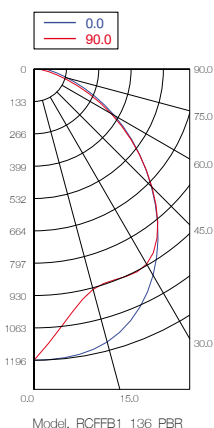
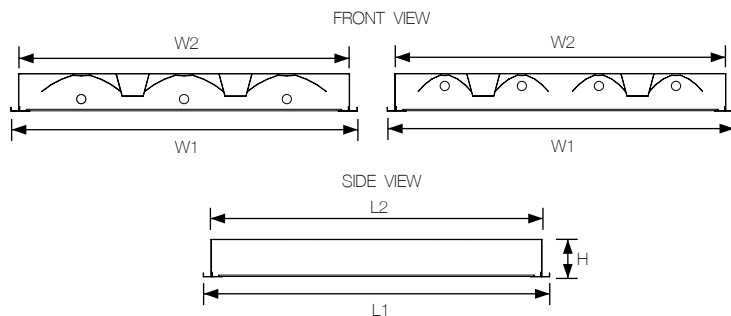
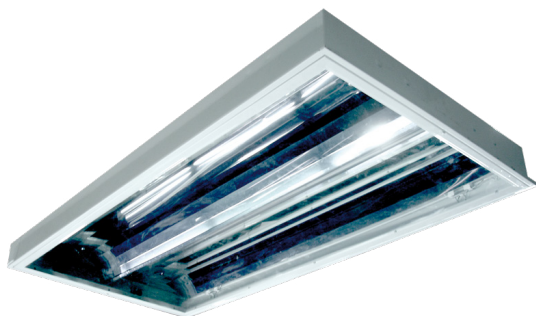
Item	Model	Watt	Dimension (mm.)					Mounting Area (mm.)
			W1	W2	L1	L2	H	
311373	RCFFB1 118 PR/C/T6/87	1x18W	200	180	635	612	90	580x185
311374	RCFFB1 118 PBR/C/T6/87	1x18W	295	275	635	612	90	580x280
311375	RCFFB1 218 PR/C/T6/87	2x18W	295	275	635	612	90	580x280
311376	RCFFB1 218 PBR/C/T6/87	2x18W	595	575	635	612	90	580x580
311377	RCFFB1 318 PR/C/T6/87	3x18W	595	575	635	612	90	580x580
311378	RCFFB1 418 PR/C/T6/87	4x18W	595	575	635	612	90	580x580
311379	RCFFB1 136 PR/C/T6/87	1x36W	200	180	1245	1222	90	1180x185
311380	RCFFB1 136 PBR/C/T6/87	1x36W	295	275	1245	1222	90	1180x280
311381	RCFFB1 236 PR/C/T6/87	2x36W	295	275	1245	1222	90	1180x280
311382	RCFFB1 236 PBR/C/T6/87	2x36W	595	575	1245	1222	90	1180x580
311383	RCFFB1 336 PR/C/T6/87	3x36W	595	575	1245	1222	90	1180x580
311384	RCFFB1 436 PR/C/T6/87	4x36W	595	575	1245	1222	90	1180x580

Item	Model	Watt	Dimension (mm.)					Mounting Area (mm.)
			W1	W2	L1	L2	H	
311385	RCFFB1 118 PR/C/T8/87	1x18W	200	180	635	612	90	580x185
311386	RCFFB1 118 PBR/C/T8/87	1x18W	295	275	635	612	90	580x280
311387	RCFFB1 218 PR/C/T8/87	2x18W	295	275	635	612	90	580x280
311388	RCFFB1 218 PBR/C/T8/87	2x18W	595	575	635	612	90	580x580
311389	RCFFB1 318 PR/C/T8/87	3x18W	595	575	635	612	90	580x580
311390	RCFFB1 418 PR/C/T8/87	4x18W	595	575	635	612	90	580x580
311391	RCFFB1 136 PR/C/T8/87	1x36W	200	180	1245	1222	90	1180x185
311392	RCFFB1 136 PBR/C/T8/87	1x36W	295	275	1245	1222	90	1180x280
311393	RCFFB1 236 PR/C/T8/87	2x36W	295	275	1245	1222	90	1180x280
311394	RCFFB1 236 PBR/C/T8/87	2x36W	595	575	1245	1222	90	1180x580
311395	RCFFB1 336 PR/C/T8/87	3x36W	595	575	1245	1222	90	1180x580
311396	RCFFB1 436 PR/C/T8/87	4x36W	595	575	1245	1222	90	1180x580

ORDERING DATA : RCFFB1 118 PR / C / T8 / 87
A B C

A = Acrylic (P = Prismatic , M = Milky , O = Embossed ,
C = Transparent)
B = Thickness (T6 = 0.6mm., T8 = 0.8mm.)
C = Total of Reflectance (87 = TR87%)

T8 PLASTER CEILING RECESSED MOUNTED ACRYLIC DIFFUSER LUMINAIRE : TR 95%



Item	Model	Watt	Dimension (mm.)					Mounting Area (mm.)
			W1	W2	L1	L2	H	
311133	RCFFB1 118 PR/P/T6/95	1x18W	200	180	635	612	90	580x185
311134	RCFFB1 118 PBR/P/T6/95	1x18W	295	275	635	612	90	580x280
311135	RCFFB1 218 PR/P/T6/95	2x18W	295	275	635	612	90	580x280
311136	RCFFB1 218 PBR/P/T6/95	2x18W	595	575	635	612	90	580x580
311137	RCFFB1 318 PR/P/T6/95	3x18W	595	575	635	612	90	580x580
311138	RCFFB1 418 PR/P/T6/95	4x18W	595	575	635	612	90	580x580
311139	RCFFB1 136 PR/P/T6/95	1x36W	200	180	1245	1222	90	1180x185
311140	RCFFB1 136 PBR/P/T6/95	1x36W	295	275	1245	1222	90	1180x280
311141	RCFFB1 236 PR/P/T6/95	2x36W	295	275	1245	1222	90	1180x280
311142	RCFFB1 236 PBR/P/T6/95	2x36W	595	575	1245	1222	90	1180x580
311143	RCFFB1 336 PR/P/T6/95	3x36W	595	575	1245	1222	90	1180x580
311144	RCFFB1 436 PR/P/T6/95	4x36W	595	575	1245	1222	90	1180x580

ORDERING DATA : RCFFB1 118 PR / C / T6 / 95
A B C

A = Acrylic (P = Prismatic, M = Milky, O = Embossed, C = Transparent)
B = Thickness (T6 = 0.6mm.)
C = Total of Reflectance (95 = TR95%)

T8 PLASTER CEILING RECESSED MOUNTED ACRYLIC DIFFUSER LUMINAIRE : TR 95%

Item	Model	Watt	Dimension (mm.)					Mounting Area (mm.)
			W1	W2	L1	L2	H	
311145	RCFFB1 118 PR/P/T8/95	1x18W	200	180	635	612	90	580x185
311146	RCFFB1 118 PBR/P/T8/95	1x18W	295	275	635	612	90	580x280
311147	RCFFB1 218 PR/P/T8/95	2x18W	295	275	635	612	90	580x280
311148	RCFFB1 218 PBR/P/T8/95	2x18W	595	575	635	612	90	580x580
311149	RCFFB1 318 PR/P/T8/95	3x18W	595	575	635	612	90	580x580
311150	RCFFB1 418 PR/P/T8/95	4x18W	595	575	635	612	90	580x580
311151	RCFFB1 136 PR/P/T8/95	1x36W	200	180	1245	1222	90	1180x185
311152	RCFFB1 136 PBR/P/T8/95	1x36W	295	275	1245	1222	90	1180x280
311153	RCFFB1 236 PR/P/T8/95	2x36W	295	275	1245	1222	90	1180x280
311154	RCFFB1 236 PBR/P/T8/95	2x36W	595	575	1245	1222	90	1180x580
311155	RCFFB1 336 PR/P/T8/95	3x36W	595	575	1245	1222	90	1180x580
311156	RCFFB1 436 PR/P/T8/95	4x36W	595	575	1245	1222	90	1180x580

ORDERING DATA : RCFFB1 118 PR / P / T8 / 95
A B C

A = Acrylic (P = Prismatic , M = Milky , O = Embossed ,
C = Transparent)
B = Thickness (T8 = 0.8mm.)
C = Total of Reflectance (95 = TR95%)

T8 PLASTER CEILING RECESSED MOUNTED ACRYLIC DIFFUSER LUMINAIRE : TR 95%

Item	Model	Watt	Dimension (mm.)					Mounting Area (mm.)
			W1	W2	L1	L2	H	
311397	RCFFB1 118 PR/M/T6/95	1x18W	200	180	635	612	90	580x185
311398	RCFFB1 118 PBR/M/T6/95	1x18W	295	275	635	612	90	580x280
311399	RCFFB1 218 PR/M/T6/95	2x18W	295	275	635	612	90	580x280
311400	RCFFB1 218 PBR/M/T6/95	2x18W	595	575	635	612	90	580x580
311401	RCFFB1 318 PR/M/T6/95	3x18W	595	575	635	612	90	580x580
311402	RCFFB1 418 PR/M/T6/95	4x18W	595	575	635	612	90	580x580
311403	RCFFB1 136 PR/M/T6/95	1x36W	200	180	1245	1222	90	1180x185
311404	RCFFB1 136 PBR/M/T6/95	1x36W	295	275	1245	1222	90	1180x280
311405	RCFFB1 236 PR/M/T6/95	2x36W	295	275	1245	1222	90	1180x280
311406	RCFFB1 236 PBR/M/T6/95	2x36W	595	575	1245	1222	90	1180x580
311407	RCFFB1 336 PR/M/T6/95	3x36W	595	575	1245	1222	90	1180x580
311408	RCFFB1 436 PR/M/T6/95	4x36W	595	575	1245	1222	90	1180x580

Item	Model	Watt	Dimension (mm.)					Mounting Area (mm.)
			W1	W2	L1	L2	H	
311409	RCFFB1 118 PR/M/T8/95	1x18W	200	180	635	612	90	580x185
311410	RCFFB1 118 PBR/M/T8/95	1x18W	295	275	635	612	90	580x280
311411	RCFFB1 218 PR/M/T8/95	2x18W	295	275	635	612	90	580x280
311412	RCFFB1 218 PBR/M/T8/95	2x18W	595	575	635	612	90	580x580
311413	RCFFB1 318 PR/M/T8/95	3x18W	595	575	635	612	90	580x580
311414	RCFFB1 418 PR/M/T8/95	4x18W	595	575	635	612	90	580x580
311415	RCFFB1 136 PR/M/T8/95	1x36W	200	180	1245	1222	90	1180x185
311416	RCFFB1 136 PBR/M/T8/95	1x36W	295	275	1245	1222	90	1180x280
311417	RCFFB1 236 PR/M/T8/95	2x36W	295	275	1245	1222	90	1180x280
311418	RCFFB1 236 PBR/M/T8/95	2x36W	595	575	1245	1222	90	1180x580
311419	RCFFB1 336 PR/M/T8/95	3x36W	595	575	1245	1222	90	1180x580
311420	RCFFB1 436 PR/M/T8/95	4x36W	595	575	1245	1222	90	1180x580

ORDERING DATA : RCFFB1 118 PR / M / T8 / 95
A B C

A = Acrylic (P = Prismatic , M = Milky , O = Embossed ,
C = Transparent)
B = Thickness (T6 = 0.6mm., T8 = 0.8mm.)
C = Total of Reflectance (95 = TR95%)

T8 PLASTER CEILING RECESSED MOUNTED ACRYLIC DIFFUSER LUMINAIRE : TR 95%

Item	Model	Watt	Dimension (mm.)					Mounting Area (mm.)
			W1	W2	L1	L2	H	
311421	RCFFB1 118 PR/O/T6/95	1x18W	200	180	635	612	90	580x185
311422	RCFFB1 118 PBR/O/T6/95	1x18W	295	275	635	612	90	580x280
311423	RCFFB1 218 PR/O/T6/95	2x18W	295	275	635	612	90	580x280
311424	RCFFB1 218 PBR/O/T6/95	2x18W	595	575	635	612	90	580x580
311425	RCFFB1 318 PR/O/T6/95	3x18W	595	575	635	612	90	580x580
311426	RCFFB1 418 PR/O/T6/95	4x18W	595	575	635	612	90	580x580
311427	RCFFB1 136 PR/O/T6/95	1x36W	200	180	1245	1222	90	1180x185
311428	RCFFB1 136 PBR/O/T6/95	1x36W	295	275	1245	1222	90	1180x280
311429	RCFFB1 236 PR/O/T6/95	2x36W	295	275	1245	1222	90	1180x280
311430	RCFFB1 236 PBR/O/T6/95	2x36W	595	575	1245	1222	90	1180x580
311431	RCFFB1 336 PR/O/T6/95	3x36W	595	575	1245	1222	90	1180x580
311432	RCFFB1 436 PR/O/T6/95	4x36W	595	575	1245	1222	90	1180x580

Item	Model	Watt	Dimension (mm.)					Mounting Area (mm.)
			W1	W2	L1	L2	H	
311433	RCFFB1 118 PR/O/T8/95	1x18W	200	180	635	612	90	580x185
311434	RCFFB1 118 PBR/O/T8/95	1x18W	295	275	635	612	90	580x280
311435	RCFFB1 218 PR/O/T8/95	2x18W	295	275	635	612	90	580x280
311436	RCFFB1 218 PBR/O/T8/95	2x18W	595	575	635	612	90	580x580
311437	RCFFB1 318 PR/O/T8/95	3x18W	595	575	635	612	90	580x580
311438	RCFFB1 418 PR/O/T8/95	4x18W	595	575	635	612	90	580x580
311439	RCFFB1 136 PR/O/T8/95	1x36W	200	180	1245	1222	90	1180x185
311440	RCFFB1 136 PBR/O/T8/95	1x36W	295	275	1245	1222	90	1180x280
311441	RCFFB1 236 PR/O/T8/95	2x36W	295	275	1245	1222	90	1180x280
311442	RCFFB1 236 PBR/O/T8/95	2x36W	595	575	1245	1222	90	1180x580
311443	RCFFB1 336 PR/O/T8/95	3x36W	595	575	1245	1222	90	1180x580
311444	RCFFB1 436 PR/O/T8/95	4x36W	595	575	1245	1222	90	1180x580

ORDERING DATA : RCFFB1 118 PR / O / T8 / 95
A B C

A = Acrylic (P = Prismatic , M = Milky , O = Embossed ,
C = Transparent)
B = Thickness (T6 = 0,6mm., T8 = 0,8mm.)
C = Total of Reflectance (95 = TR95%)

T8 PLASTER CEILING RECESSED MOUNTED ACRYLIC DIFFUSER LUMINAIRE : TR 95%

Item	Model	Watt	Dimension (mm.)					Mounting Area (mm.)
			W1	W2	L1	L2	H	
311445	RCFFB1 118 PR/C/T6/95	1x18W	200	180	635	612	90	580x185
311446	RCFFB1 118 PBR/C/T6/95	1x18W	295	275	635	612	90	580x280
311447	RCFFB1 218 PR/C/T6/95	2x18W	295	275	635	612	90	580x280
311448	RCFFB1 218 PBR/C/T6/95	2x18W	595	575	635	612	90	580x580
311449	RCFFB1 318 PR/C/T6/95	3x18W	595	575	635	612	90	580x580
311450	RCFFB1 418 PR/C/T6/95	4x18W	595	575	635	612	90	580x580
311451	RCFFB1 136 PR/C/T6/95	1x36W	200	180	1245	1222	90	1180x185
311452	RCFFB1 136 PBR/C/T6/95	1x36W	295	275	1245	1222	90	1180x280
311453	RCFFB1 236 PR/C/T6/95	2x36W	295	275	1245	1222	90	1180x280
311454	RCFFB1 236 PBR/C/T6/95	2x36W	595	575	1245	1222	90	1180x580
311455	RCFFB1 336 PR/C/T6/95	3x36W	595	575	1245	1222	90	1180x580
311456	RCFFB1 436 PR/C/T6/95	4x36W	595	575	1245	1222	90	1180x580

Item	Model	Watt	Dimension (mm.)					Mounting Area (mm.)
			W1	W2	L1	L2	H	
311457	RCFFB1 118 PR/C/T8/95	1x18W	200	180	635	612	90	580x185
311458	RCFFB1 118 PBR/C/T8/95	1x18W	295	275	635	612	90	580x280
311459	RCFFB1 218 PR/C/T8/95	2x18W	295	275	635	612	90	580x280
311460	RCFFB1 218 PBR/C/T8/95	2x18W	595	575	635	612	90	580x580
311461	RCFFB1 318 PR/C/T8/95	3x18W	595	575	635	612	90	580x580
311462	RCFFB1 418 PR/C/T8/95	4x18W	595	575	635	612	90	580x580
311463	RCFFB1 136 PR/C/T8/95	1x36W	200	180	1245	1222	90	1180x185
311464	RCFFB1 136 PBR/C/T8/95	1x36W	295	275	1245	1222	90	1180x280
311465	RCFFB1 236 PR/C/T8/95	2x36W	295	275	1245	1222	90	1180x280
311466	RCFFB1 236 PBR/C/T8/95	2x36W	595	575	1245	1222	90	1180x580
311467	RCFFB1 336 PR/C/T8/95	3x36W	595	575	1245	122	90	1180x580
311468	RCFFB1 436 PR/C/T8/95	4x36W	595	575	1245	1222	90	1180x580

 ORDERING DATA : RCFFB1 118 PR / C / T8 / 95
 A B C

 A = Acrylic (P = Prismatic , M = Milky , O = Embossed ,
 C = Transparent)
 B = Thickness (T6 = 0.6mm., T8 = 0.8mm.)
 C = Total of Reflectance (95 = TR95%)